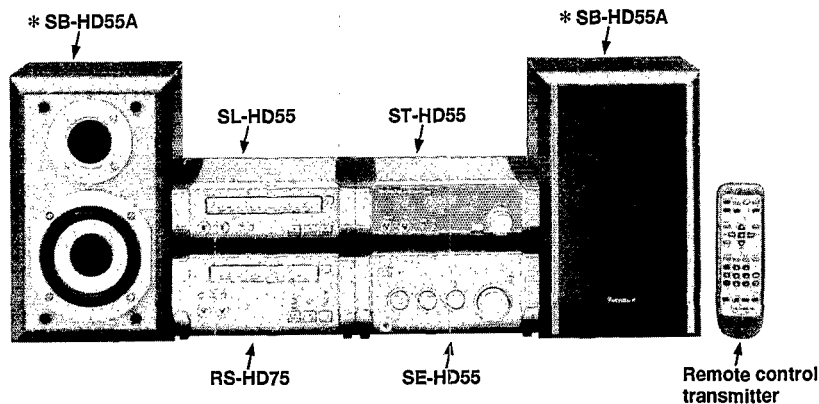


Service Manual

Amplifier

Amplifier

SE-HD55



Colour

(S) Silver

Areas

E Europe.
 EG Germany and Italy, etc.
 EB Great Britain.
 EP Europe and Russia.

System : SC-HD55

Because of unique interconnecting cables, when a compact requires service, send or bring in the entire system.

Specifications

Amplifier Section

Power output

DIN 1 kHz, THD 1 %, both channel driven: 2 × 15 W (6 ohm)

RMS 1 kHz, THD 10 %, both channel driven: 2 × 25 W (6 ohm)

Total harmonic distortion

Rated power at 1 kHz: 1 % (6 ohm)

Half power at 1 kHz: 0.3 % (6 ohm)

Load impedanced: 6 ohm

S/N (rated power): 85 dB

General

Power consumption: 85 W

Power supply

[For (EB) area]: 230 — 240 V, AC 50 Hz

[For (E, EG, EP) areas]: 230 V, AC 50 Hz

Dimensions: 202(W)/104.5(H)/273(D) mm

Weight: 3.6 kg

Notes:

1. Specifications are subject to change without notice.
2. Weight and dimensions are approximate.
3. Total harmonic distortion is measured by the digital spectrum analyzer.

System/SC-HD55:

Tuner: ST-HD55, Compact Disc Player: SL-HD55, Amplifier: **SE-HD55**, Cassette Deck: RS-HD75, Speakers: *SB-HD55A

Notes:*..... Made in PAES

△WARNING

This service information is designed for experienced repair technicians only and is not designed for use by the general public. It does not contain warnings or cautions to advise non-technical individuals of potential dangers in attempting to service a product. Products powered by electricity should be serviced or repaired only by experienced professional technicians. Any attempt to service or repair the product or products dealt with in this service information by anyone else could result in serious injury or death.

© 1998 Matsushita Electric Industrial Co., Ltd.
 All rights reserved. Unauthorized copying and distribution is a violation of law.

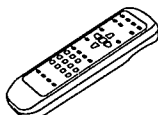
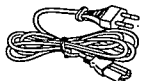
Technics®

Contents

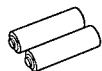
	Page		Page
Accessories	2	Power Source ON/OFF and Signal Check	12
Before Repair and Adjustment	2	Blue LED	12
Caution for AC Main Lead	3	Type Illustration of ICs, Transistors and Diodes	12
Protection Circuitry	4	Schematic Diagram	12 ~ 15
Location of Controls	4	Printed Circuit Board Diagram	16, 17
Installation	4	Block Diagram	18
Convenient Functions	5	Wiring Connection Diagram	19
Connections	6, 7	Replacement Parts List	20, 21
Operation Checks and Main Component Replacement Procedures	8 ~ 10	Cabinet Parts Location	22
		Packaging	23

Accessories

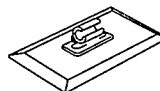
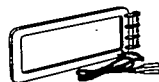
- AC power supply cord 1 pc.
For (EB) area: (VJA0733) For (E, EG, EP) area: (RJA0019-2K)
- Remote control transmitter 1 pc.
(EUR646467)
- Speaker cords 2 pcs.
(REE0393)



- Remote control batteries 2 pcs.
[(R6/LR6 (AA, UM-3)]
Note: These are available on sales route.



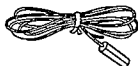
- AM loop antenna set (RSA0021)
AM loop antenna 1 pc.
Antenna holder with stand 1 pc.



- Antenna holder without stand 1 pc.
Screw 1 pc.



- FM indoor antenna 1 pc.
(RSA0007)



- Antenna plug adaptor 1 pc.
For (EB) area only:
(SJP9009)



Before Repair and Adjustment

- (1) Turn off the power supply. Using a 10 Ω , 10 W resistor, connect both ends of power supply capacitors (C715~718) in order to discharge the voltage.
- (2) Before turning the power supply on, after completion of repair, slowly apply the primary voltage by using a power supply voltage controller to make sure that the consumed current at 50/60 Hz in NO SIGNAL mode should be shown below with respect to supply voltage 230 V/240 V.

Area	(E) (EG) (EP)		(EB)	
Power supply voltage	AC 230 V		AC 240 V	
Consumed current 50 Hz	50 Hz	60 ~ 180 mA	50 Hz	55 ~ 175 mA

Caution for AC Main Lead



[For (EB) area only]

For your safety, please read the following text carefully.

This appliance is supplied with a moulded three pin mains plug for your safety and convenience.

A 5-ampere fuse is fitted in this plug.

Should the fuse need to be replaced please ensure that the replacement fuse has a rating of 5-ampere and that it is approved by ASTA or BSI to BS1362.

Check for the ASTA mark  or the BSI mark  on the body of the fuse.

If the plug contains a removable fuse cover you must ensure that it is refitted when the fuse is replaced.

If you lose the fuse cover the plug must not be used until a replacement cover is obtained.

A replacement fuse cover can be purchased from your local dealer.

CAUTION!

IF THE FITTED MOULDED PLUG IS UNSUITABLE FOR THE SOCKET OUTLET IN YOUR HOME THEN THE FUSE SHOULD BE REMOVED AND THE PLUG CUT OFF AND DISPOSED OF SAFELY.

THERE IS A DANGER OF SEVERE ELECTRICAL SHOCK IF THE CUT OFF PLUG IS INSERTED INTO ANY 13-AMPERE SOCKET.

If a new plug is to be fitted please observe the wiring code as shown below.

If in any doubt please consult a qualified electrician.

IMPORTANT

The wires in this mains lead are coloured in accordance with the following code:

Blue: Neutral, Brown: Live.

As these colours may not correspond with the coloured markings identifying the terminals in your plug, proceed as follows:

The wire which is coloured Blue must be connected to the terminal which is marked with the letter N or coloured Black or Blue.

The wire which is coloured Brown must be connected to the terminal which is marked with the letter L or coloured Brown or Red.

WARNING: DO NOT CONNECT EITHER WIRE TO THE EARTH TERMINAL WHICH IS MARKED WITH THE LETTER E, BY THE EARTH SYMBOL \perp OR COLOURED GREEN OR GREEN/YELLOW.

THIS PLUG IS NOT WATERPROOF—KEEP DRY.

Before use

Remove the connector cover.

How to replace the fuse

The location of the fuse differ according to the type of AC mains plug (figures A and B). Confirm the AC mains plug fitted and follow the instructions below. Illustrations may differ from actual AC mains plug.

1. Open the fuse cover with a screwdriver.

Figure A

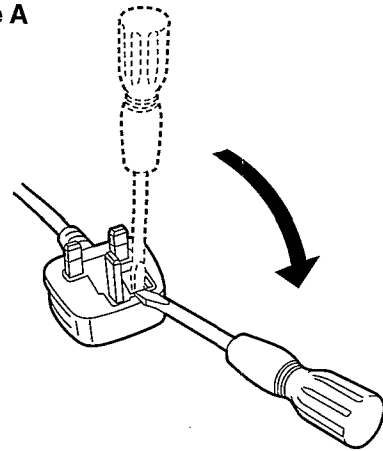
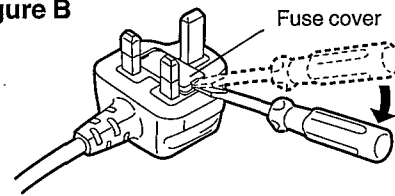


Figure B



2. Replace the fuse and close or attach the fuse cover.

Figure A

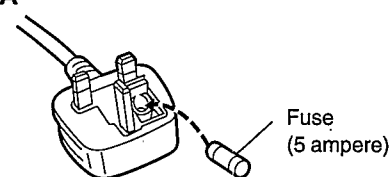
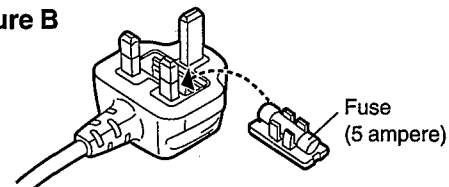


Figure B



■ Protection Circuitry

The protection circuitry may have operated if either of the following conditions is noticed:

- *No sound is heard when the power is switched ON.
- *Sound stops during a performance.

The functions of this circuitry is prevent circuitry damage if, for example, the positive and negative speaker connection wires are "shorted", or if speaker systems with an impedance less than the indicated rated impedance of this unit are used.

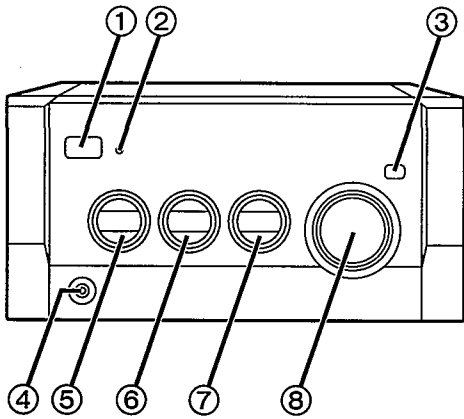
If this occurs, follow the procedure outlined below:

1. Switch OFF the power.
2. Determine the cause of the problem and correct it.
3. Switch ON the power once again.

Note:

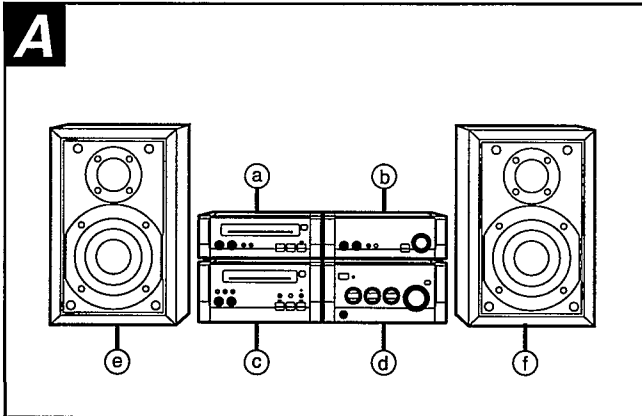
When the protection circuitry functions, the unit will not operate unless the power is first switched OFF and then ON again.

■ Location of Controls



- ① Power "STANDBY" switch (POWER, STANDBY) Press to switch the unit from on to standby mode or vice versa. In standby mode, the unit is still consuming a small amount of power.
- ② Standby indicator (STANDBY) When the unit is connected to the AC mains supply, this indicator lights up in standby mode and goes out when the unit is turned on.
- ③ Bass, demo button (-BLFS, -DEMO)
- ④ Headphones jack (PHONES)
- ⑤ Source input select Control (INPUT SELECTOR)
- ⑥ Bass control (BASS)
- ⑦ Treble control (TREBLE)
- ⑧ Volume control (VOLUME)

■ Installation



Locating the components

Side-by-side set-up A

- a) CD player (SL-HD55)
- b) Tuner (ST-HD55)
- c) Cassette deck (RS-HD75)
- d) Amplifier (SE-HD55)
- e) Left speaker (SB-HD55A)
- f) Right speaker (SB-HD55A)

Stacking B

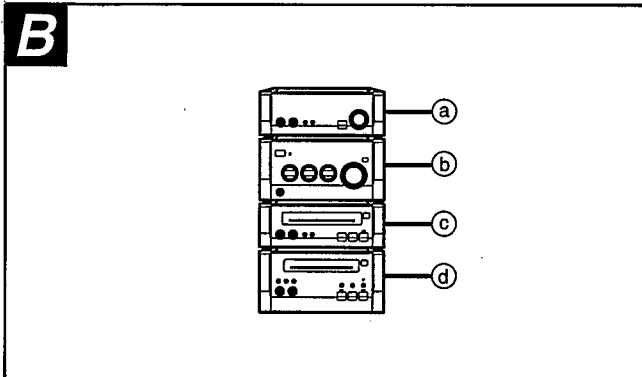
- a) Tuner (ST-HD55)
- b) Amplifier (SE-HD55)
- c) CD player (SL-HD55)
- d) Cassette deck (RS-HD75)

Caution

Use the speakers only with the recommended system. Failure to do so may lead to damage to the amplifier and/or the speaker, and may result in the risk of fire. Consult a qualified service person if damage has occurred or if you experience a sudden change in performance.

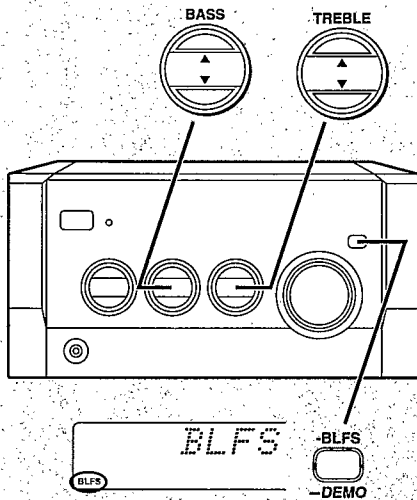
Note

Left and right speakers are exactly the same.



Convenient Function

A



Changing the tone

To adjust the tone quality **A**

Press **BASS** to adjust the low-frequency sound.

Press **TREBLE** to adjust the high-frequency sound.

Note

The effect works only with playback. It cannot be used in recording.

Emphasizing low frequency sounds

The Brisk Low Frequency Sound (BLFS) function boosts the low frequency range of music and gives it power.

Press **-BLFS, -DEMO**.

To cancel

Press **-BLFS, -DEMO** to clear "BLFS" from the panel.

Note

Adjusting the tone with the **BASS** and **TREBLE** controls cancels **BLFS**.

Adjusting sound quality with the remote control

Press **ON/FLAT**.

Every time you press the button:

FLAT → **BLFS** → **TONE**

"TONE" is displayed only if the tone has been adjusted with **BASS** or **TREBLE**.

To mute the volume **B**

This feature is convenient when you have a telephone call, etc.

by remote control only

Press **MUTING**.

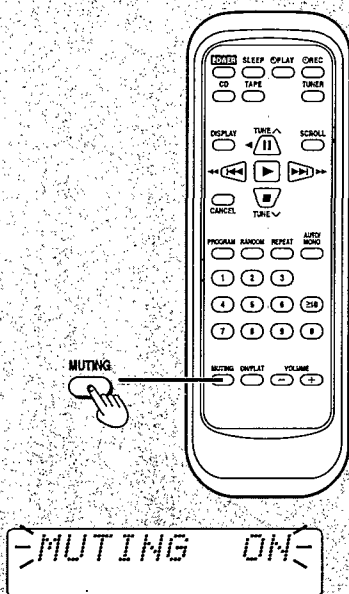
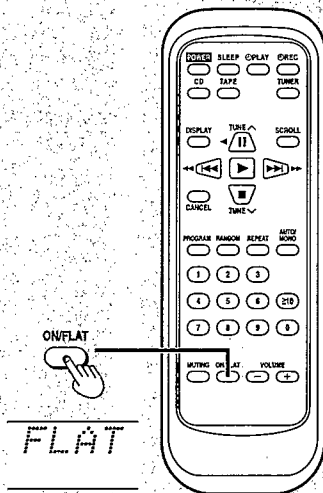
"MUTING ON" will flash.

To cancel, press **MUTING** once again. ("MUTING OFF" lights up.)

To cancel from the amplifier, reduce the volume level to the minimum position (--- dB) and then reset to the desired volume.

Muting is also canceled if you turn **OFF** the system.

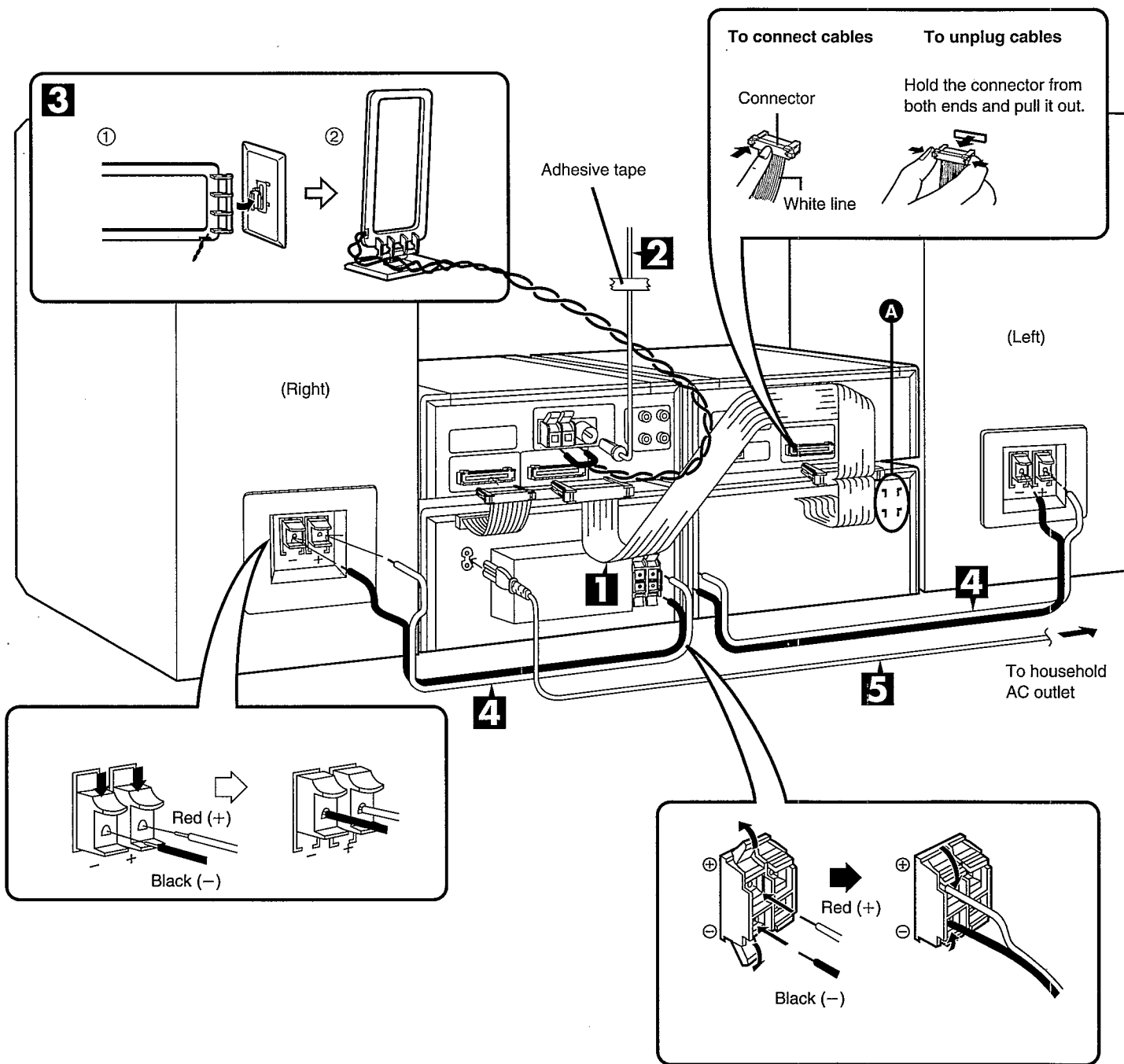
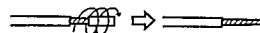
B



■ Connections

Connect the AC mains lead after you have connected all other cables.

To prepare the AM loop antenna wire and speaker cords, twist the vinyl cover tip and pull off.



1 Connect the flat cables.

Connect two flat cables to the terminal of each units.

Note

Do not try connecting or disconnecting the flat cables while the power is switched to ON.

After connection:

Keep cables as flat against the back of the unit as possible.

2 Connect the FM indoor antenna.

Tape the antenna to a wall or column, in a position where radio signals are received with the least amount of interference.

Note

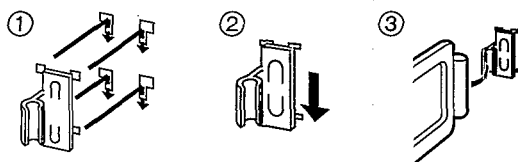
When you cannot get a good reception with this FM indoor antenna, we recommend you install an FM outdoor antenna (not included).

3 Connect the AM loop antenna.

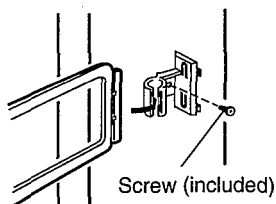
You can also install the AM loop antenna on the rear of the cassette deck, wall or pillars.

In this case, be sure to use the antenna holder with the hole.

•To install on the cassette deck rear (A)



•To install on walls or pillars

**Note**

To minimize noise pickup, bundle the loop antenna cord using a tape or so to keep the flat cables away from the AM loop antenna cord.

4 Connect the right (R) and left (L) speaker cables.**Note**

- To prevent damage to circuitry, never short-circuit positive (+) and negative (-) speaker wires.
- Be sure to connect only positive (red) wires to positive (+) terminals and negative (black) wires to negative (-) terminals.

These speakers are made so as to be able to be used in close proximity to the TV, but irregular coloring may result due to how the system is placed. If such distortion occurs, turn off the TV for sometime between 15 and 30 minutes. The demagnetizing function of the TV will eliminate the distortion. If the irregular coloring is still visible, then move the speaker further away from the TV.

Please note that if there is a magnetic object near the TV, irregular coloring may result due to the interaction between the TV and the speakers.

5 Connect the AC mains lead.

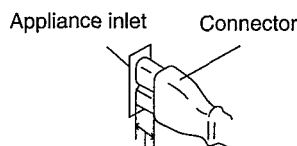
(United Kingdom only)

BE SURE TO READ THE CAUTION FOR AC MAINS LEAD ON PAGE 3 BEFORE PROCEEDING TO STEP 5.

Insertion of Connector

Even when the connector is perfectly inserted, depending on the type of inlet used, the front part of the connector may jut out as shown in the drawing.

However there is no problem using the unit.



Approx. 6 mm

Operation Checks and Main Component Replacement Procedures

NOTE

1. This section describes procedures for checking the operation of the major printed circuit boards and replacing the main components.
2. For reassembly after operation checks or replacement, reverse the respective procedures. Special reassembly procedures are described only when required.
3. Select items from the following index when checks or replacement are required.
4. Refer the parts No. on the page of "Main Component Replacement Procedures", if necessary.

Contents

Checking Procedures for each P.C.B.

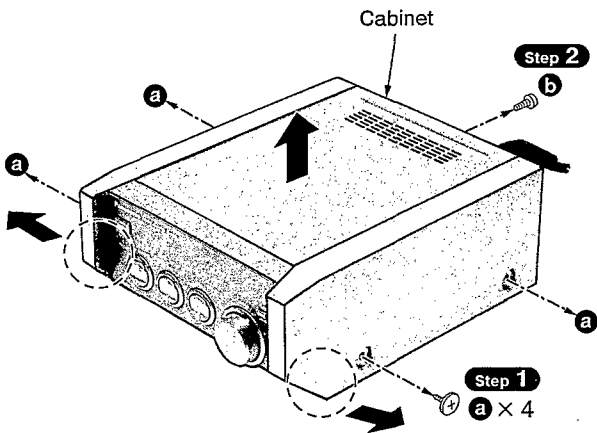
	Page.
1. Checking for the AC IN P.C.B.	8.
2. Checking for the operation P.C.B.	8.
3. Checking for the main P.C.B.	9.

Main Component Replacement Procedures

1. Replacement for the power IC and regulator transistor.	9,10.
----------------------------------------------------------------	-------

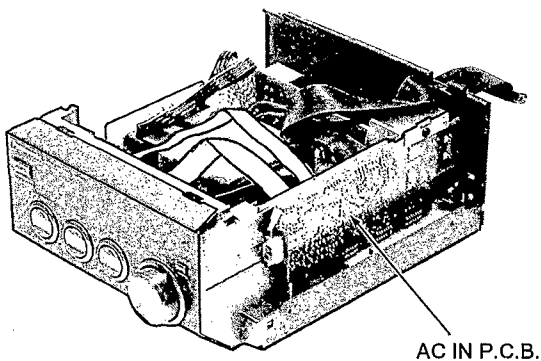
Checking procedures for each P.C.B.

1. Checking for the AC IN P.C.B.



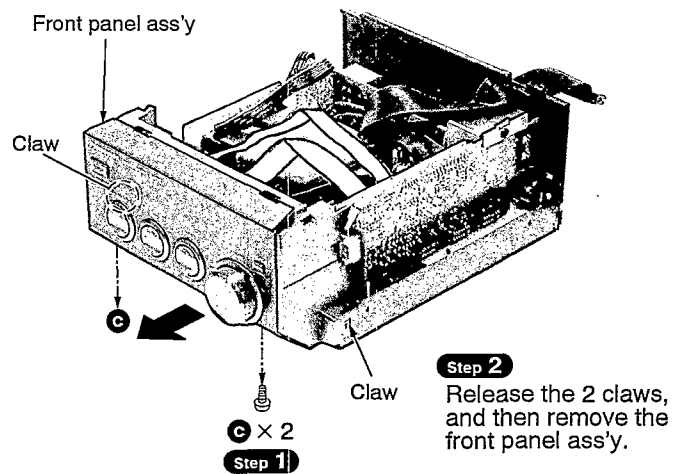
Step 3
Spreading the both front tails indicated with (○) of cabinet a small amount, lift up and remove the cabinet in the direction of arrow.

• Check the AC IN P.C.B. as shown below.



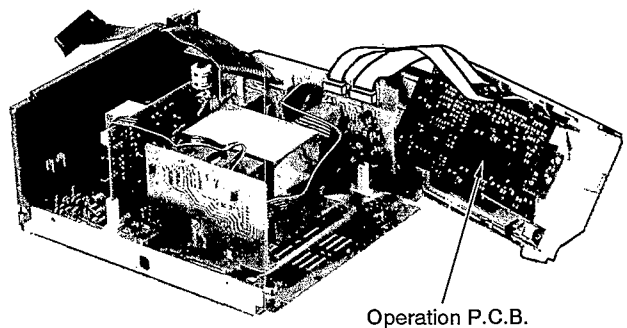
2. Checking for the operation P.C.B.

• Follow the **Step 1** ~ **Step 3** of the item 1 in checking procedure for each P.C.B. on page 8.



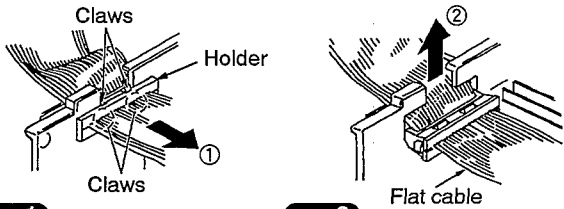
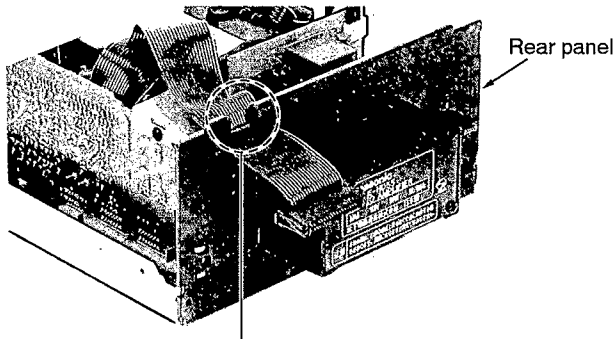
Step 2
Release the 2 claws, and then remove the front panel ass'y.

• Check the operation P.C.B. as shown below.

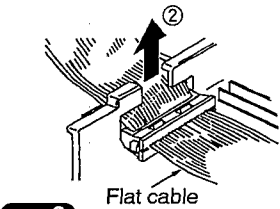


3. Checking for the main P.C.B.

- Follow the **Step 1** ~ **Step 3** of the item 1 in checking procedure for each P.C.B. on page 8.

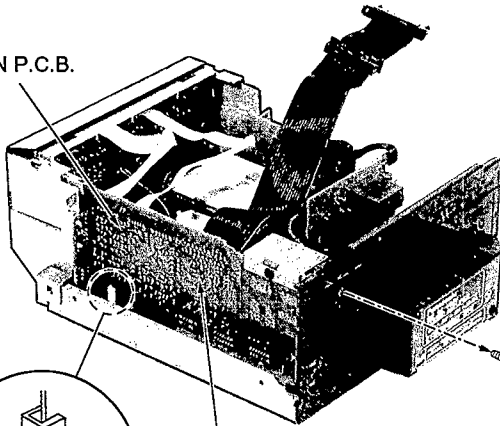


Step 1
Release the 4 claws, and then remove the holder.

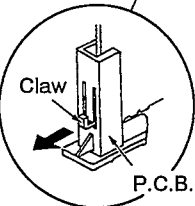


Step 2
Remove the flat cable from rear panel.

AC IN P.C.B.

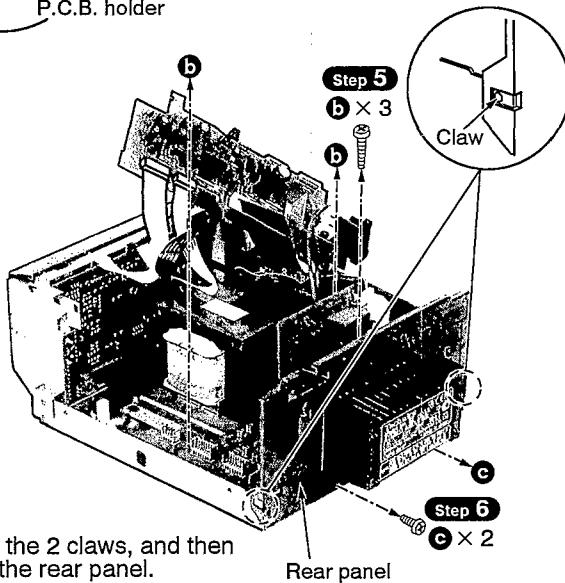


Step 3



Step 4
Release the claw of P.C.B. holder and then remove the AC IN P.C.B..

P.C.B. holder

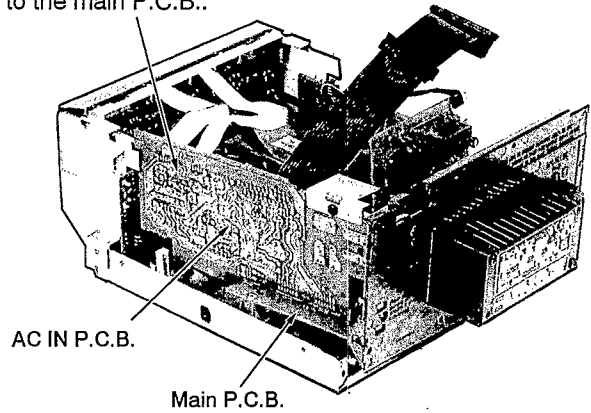


Step 7
Release the 2 claws, and then remove the rear panel.

Rear panel

Step 8

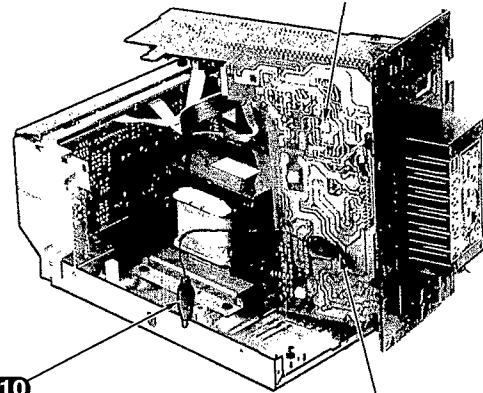
Reinstall the AC IN P.C.B. to the main P.C.B..



- Check the main P.C.B. as shown below.

Step 9

Raise the main P.C.B..



Step 10

Connect the lead wire.

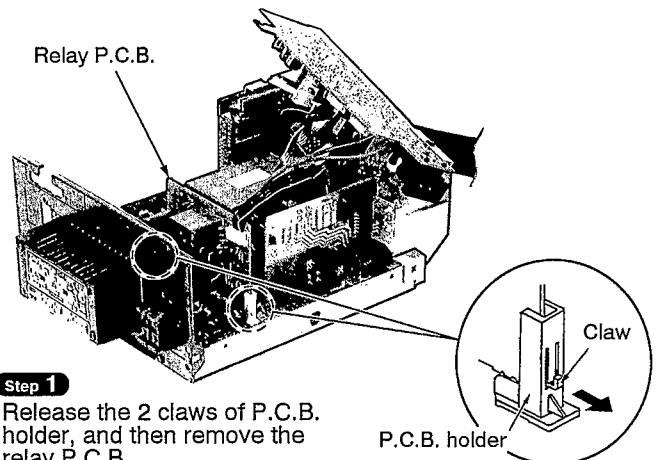
GND plate

■ Main Component Replacement Procedures

1. Replacement for the power IC and regulator transistor

- Follow the **Step 1** ~ **Step 3** of the item 1 in checking procedure for each P.C.B. on page 8.
- Follow the **Step 1** ~ **Step 6** of the item 3 in checking procedure for each P.C.B. on page 9.

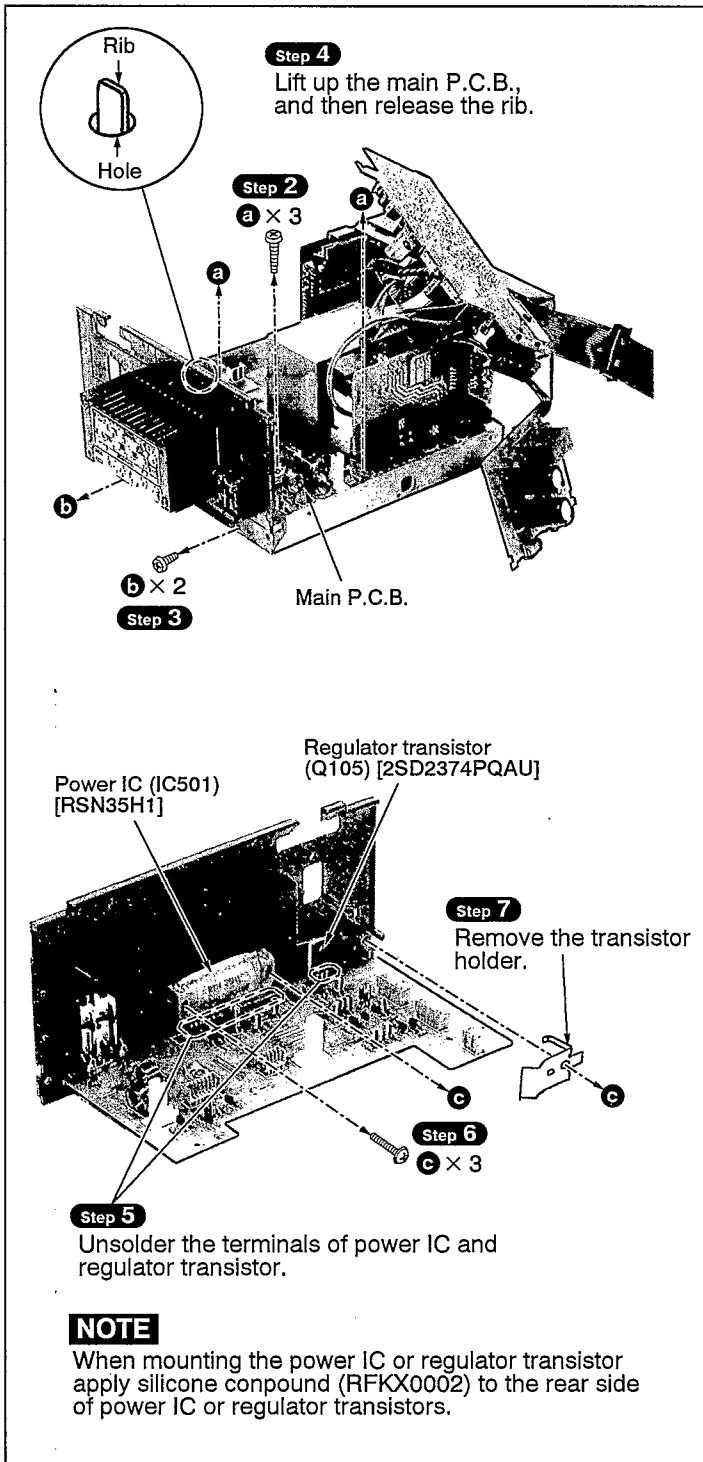
Relay P.C.B.



Step 1

Release the 2 claws of P.C.B. holder, and then remove the relay P.C.B..

P.C.B. holder

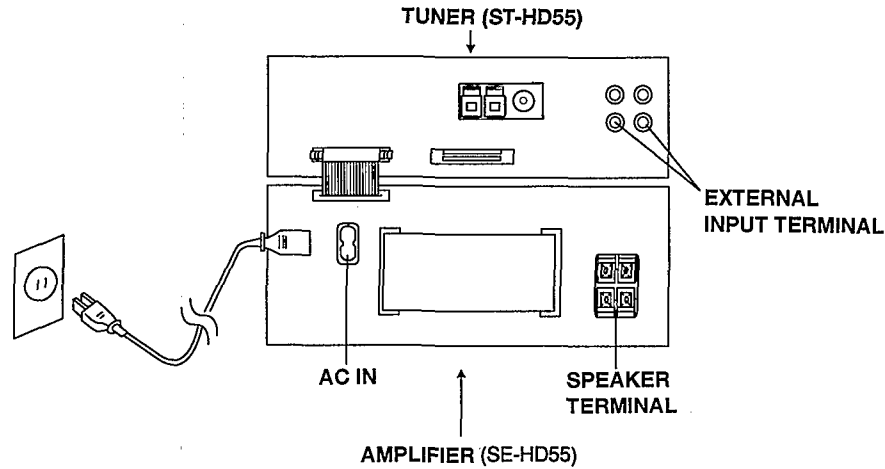


Power Source ON/OFF and Signal Check

This unit SE-HD55 is not operate normally without connecting the unit ST-HD55.

When operate the unit SE-HD55, be sure to connect the unit ST-HD55 with included connection cable.

1. Connect the Tuner (ST-HD55).
2. Connect the AC mains lead.
3. Connect the speakers to speaker input terminal.
4. Switch on the power of the Amplifier (SE-HD55).
5. Press INPUT SELECTOR to select the external source (EXT) of the Amplifier (SE-HD55).
6. Input a sound signal to external input terminal of Tuner (ST-HD55), and confirm to be outputted from the speaker.



Type Illustration of IC's, Transistors and Diodes

<p>M5218AFPE3</p>	<p>RSN35H1</p>	<p>2SD2144STA</p>	<p>2SA1309AIQTA 2SC3311AIRTA UN4115TA</p>	<p>2SB621AQRSTA 2SD592AQRSTA</p>
<p>2SC3940AQSTA</p>	<p>2SD2374PQAU</p>	<p>1N5402BF RL1N4003N02</p>	<p>MA165TA</p>	<p>MA4110MTA MA4150MTA MA4300MTA MA4160MTA</p>
<p>MA4051MTA MA4062HTA MA4082MTA</p>	<p>LNG995PFB0A2</p>	<p>SLR-325VC</p>		

■ Blue LED

- The LED mounted to each side of the front panel of this set is very sensitive to static electricity. When handling the LED base plate, be very careful about it.
 - Do not replace a blue LED singly. If replaced singly, it may be subject to electrostatic breakdown or deterioration in quality. When replacing the LED base plate, be sure to replace L and R sides simultaneously to permit the brightness adjustment.
- * For configuration at the time of supply of replacement parts, refer to the PCB Diagram (on Page 17).

■ Schematic Diagram

	Page
A AC IN TERMINAL CIRCUIT	13~15
B OPERATION CIRCUIT	13
C MAIN CIRCUIT	14, 15
D RELAY CIRCUIT	15
E POWER TRANSFORMER CIRCUIT	14
F LED (R) CIRCUIT	14
G LED (L) CIRCUIT	14

- This schematic diagram may be modified at any time with the development of new technology.

Notes:

- **S301** : Power "STANDBY ϕ /ON" switch (POWER, STANDBY ϕ /ON)
 - **S302** : Source input select control switch (INPUT SELECTOR UP)
 - **S303** : Source input select control switch (INPUT SELECTOR DOWN)
 - **S304** : Bass control switch (BASS UP)
 - **S305** : Bass control switch (BASS DOWN)
 - **S306** : Treble control switch (TREBLE UP)
 - **S307** : Treble control switch (TREBLE DOWN)
 - **S308** : Bass, demo switch (BLFS/DEMO)
- Indicated voltage values are the standard values for the unit measured by the DC electronic circuit tester (high-impedance) with the chassis taken as standard. Therefore, there may exist some errors in the voltage values, depending on the internal impedance of the DC circuit tester.
No mark: Power ON
 - Important safety notice:
Components identified by \triangle mark have special characteristics important for safety.
Furthermore, special parts which have purposes of fire-retardant (resistors), high-quality sound (capacitors), low-noise (resistors), etc. are used.
When replacing any of components, be sure to use only manufacturer's specified parts shown in the parts list.
 - **Caution!**
IC and LSI are sensitive to static electricity.
Secondary trouble can be prevented by taking care during repair.
Cover the parts boxes made of plastics with aluminum foil.
Ground the soldering iron.
Put a conductive mat on the work table.
Do not touch the legs of IC or LSI with the fingers directly.
 - **Voltage and signal line**

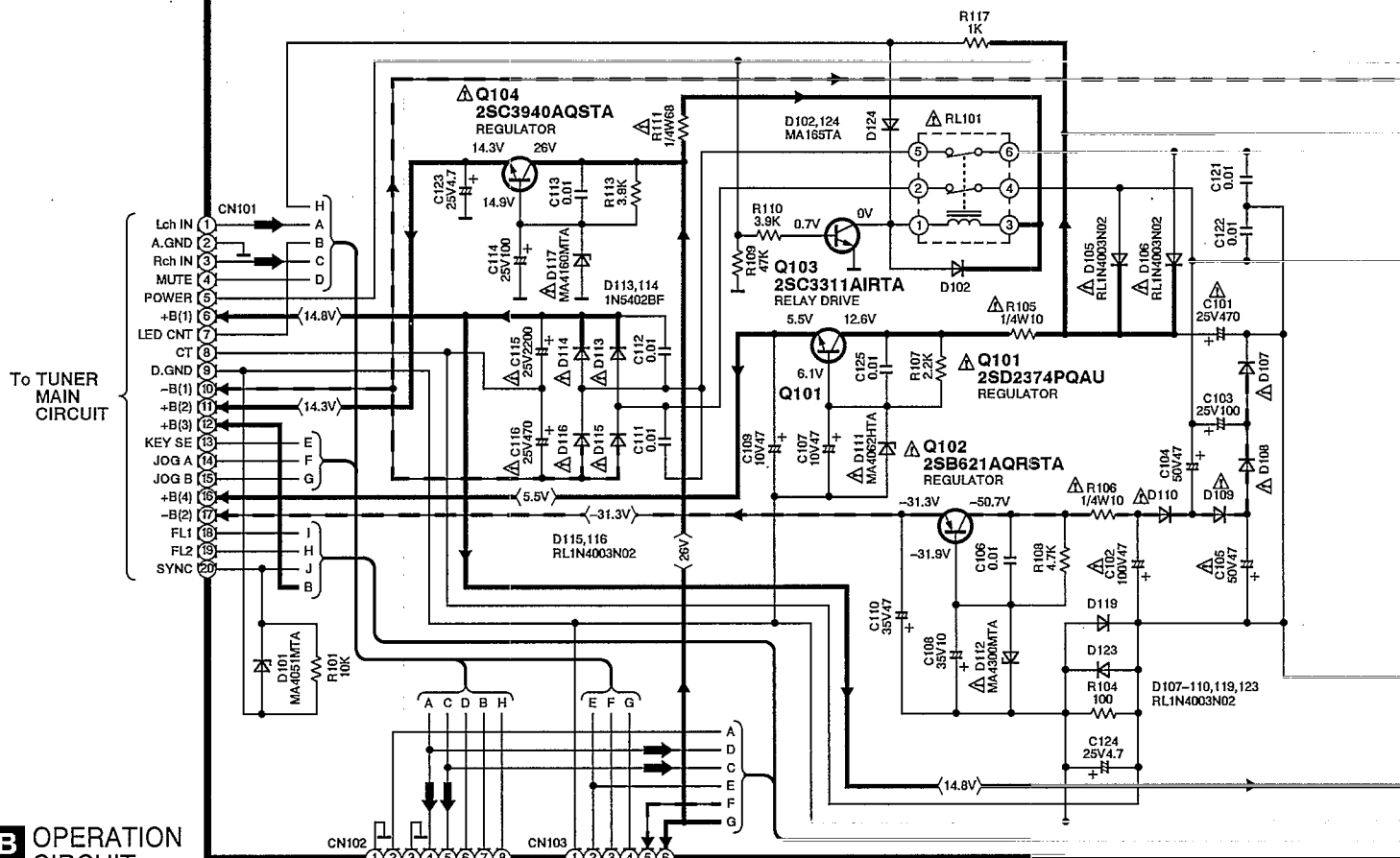
 : Positive voltage line

 : Negative voltage line

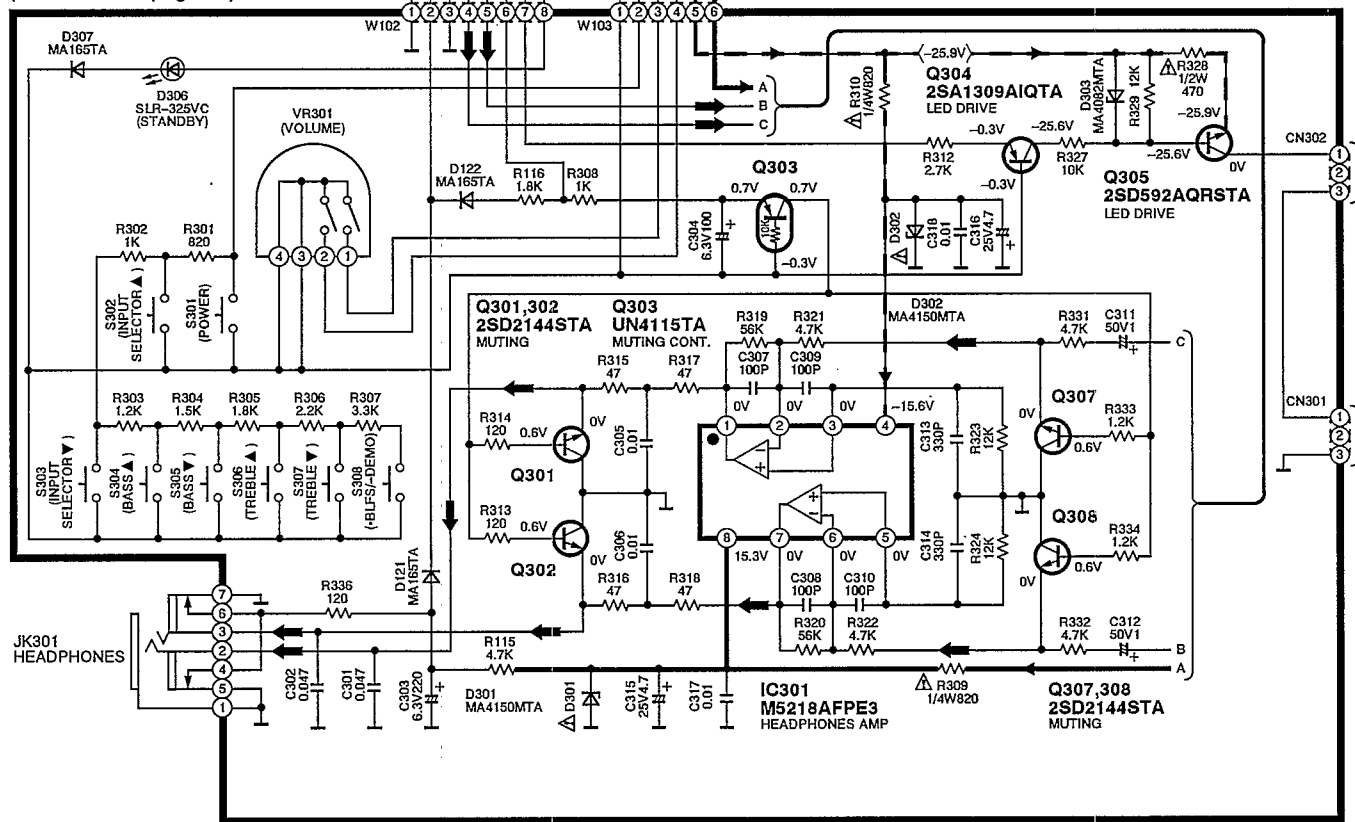
 : Source signal line

Note: ● → : Source signal line

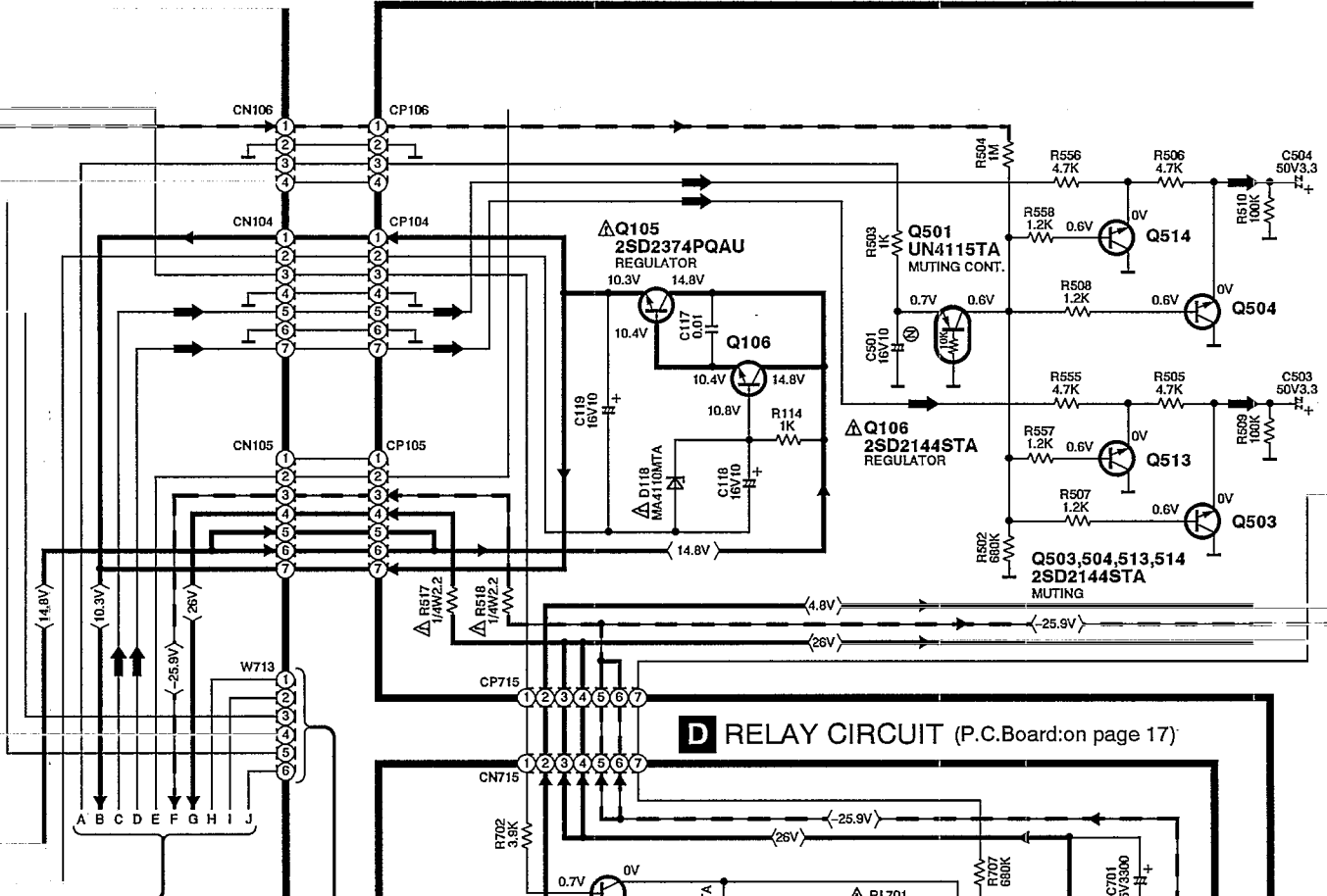
A AC IN CIRCUIT (P.C.Board: on page 16)



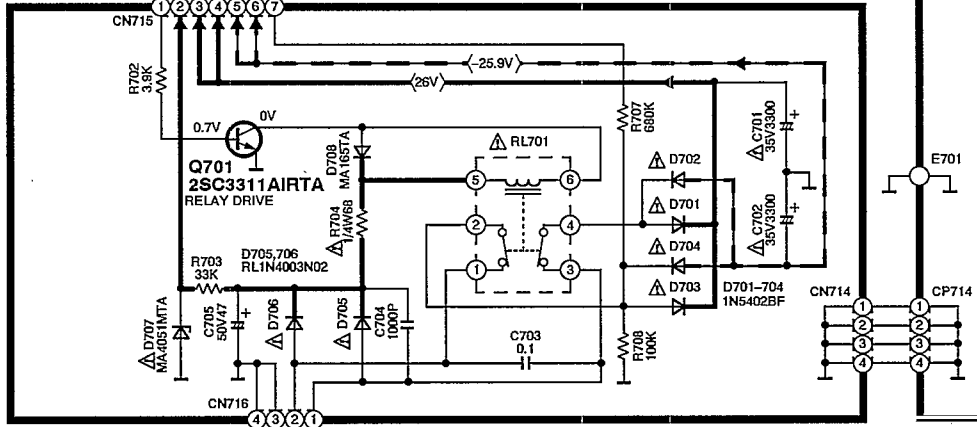
B OPERATION CIRCUIT (P.C.Board: on page 17)



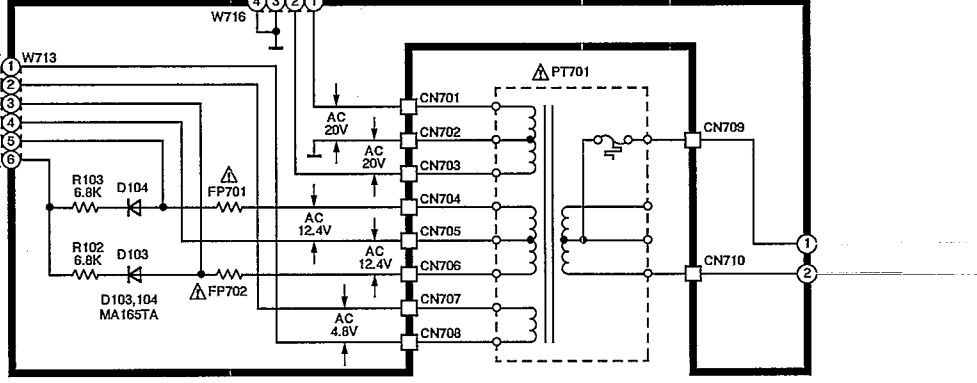
C MAIN CIRCUIT (P.C.Board: on page 16)



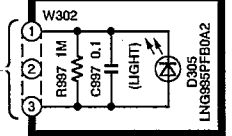
D RELAY CIRCUIT (P.C.Board: on page 17)



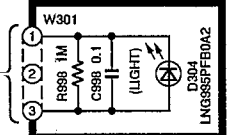
E POWER TRANSFORMER CIRCUIT (P.C.Board: on page 17)



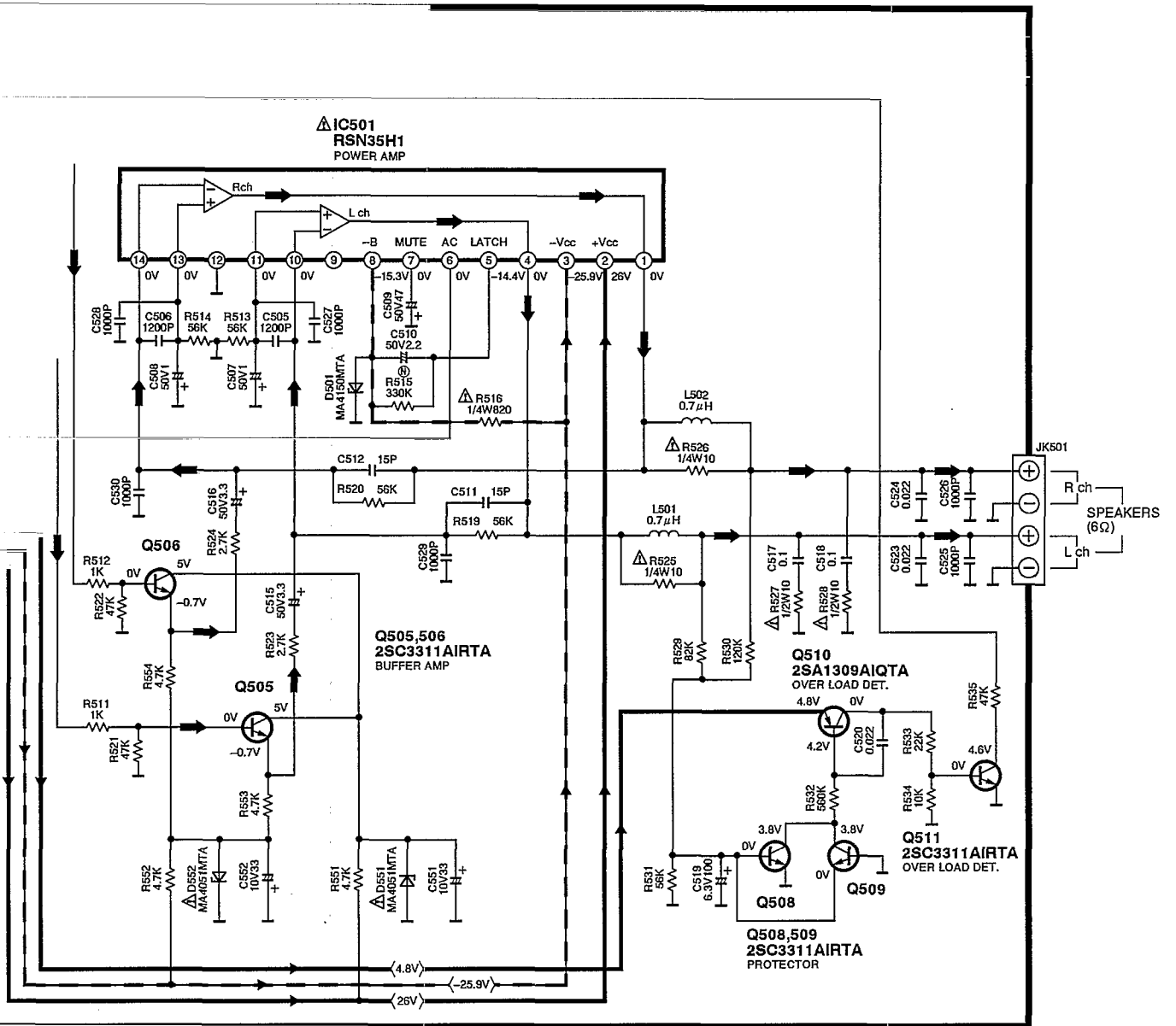
G LED(L) CIRCUIT
(P.C.Board: on page 17)



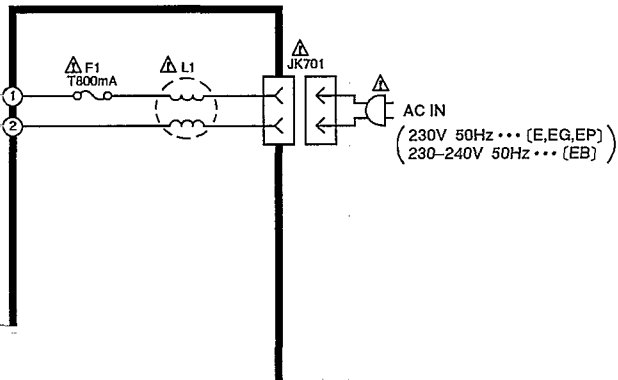
F LED(R) CIRCUIT
(P.C.Board: on page 17)



Note: ● → : Source signal line



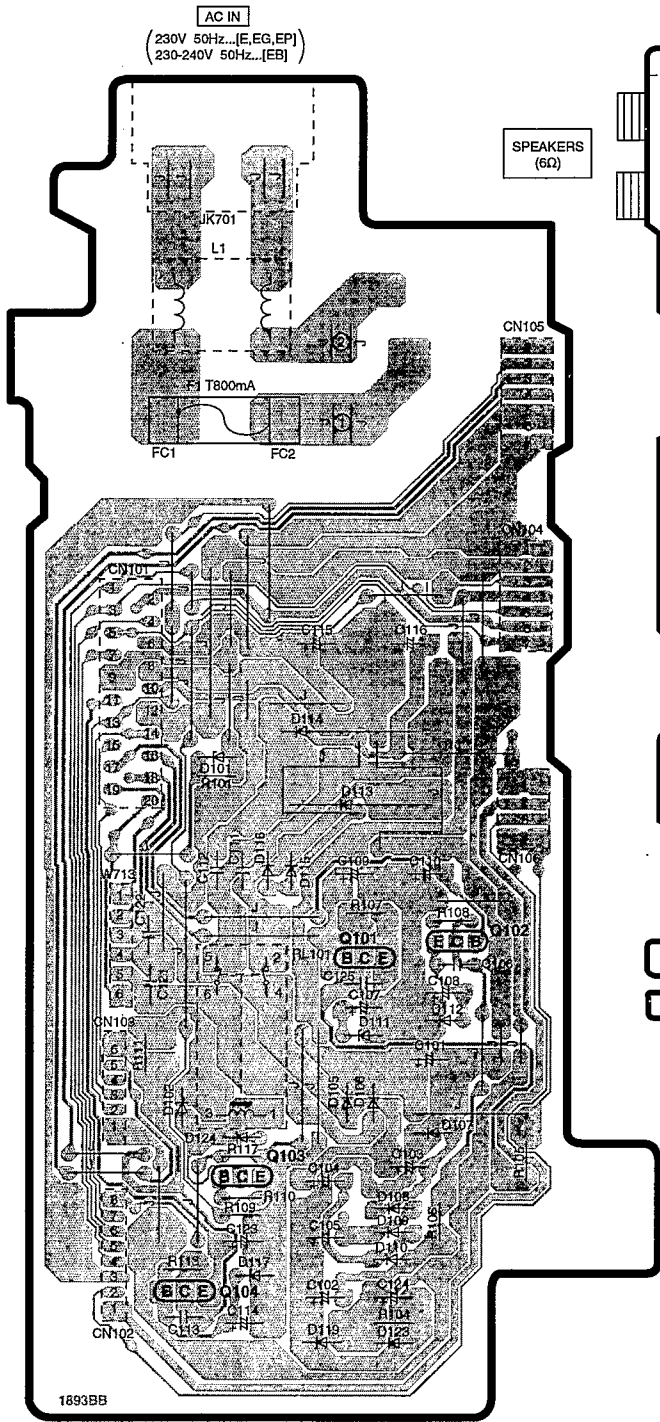
A AC IN CIRCUIT
(P.C.Board: on page 16)



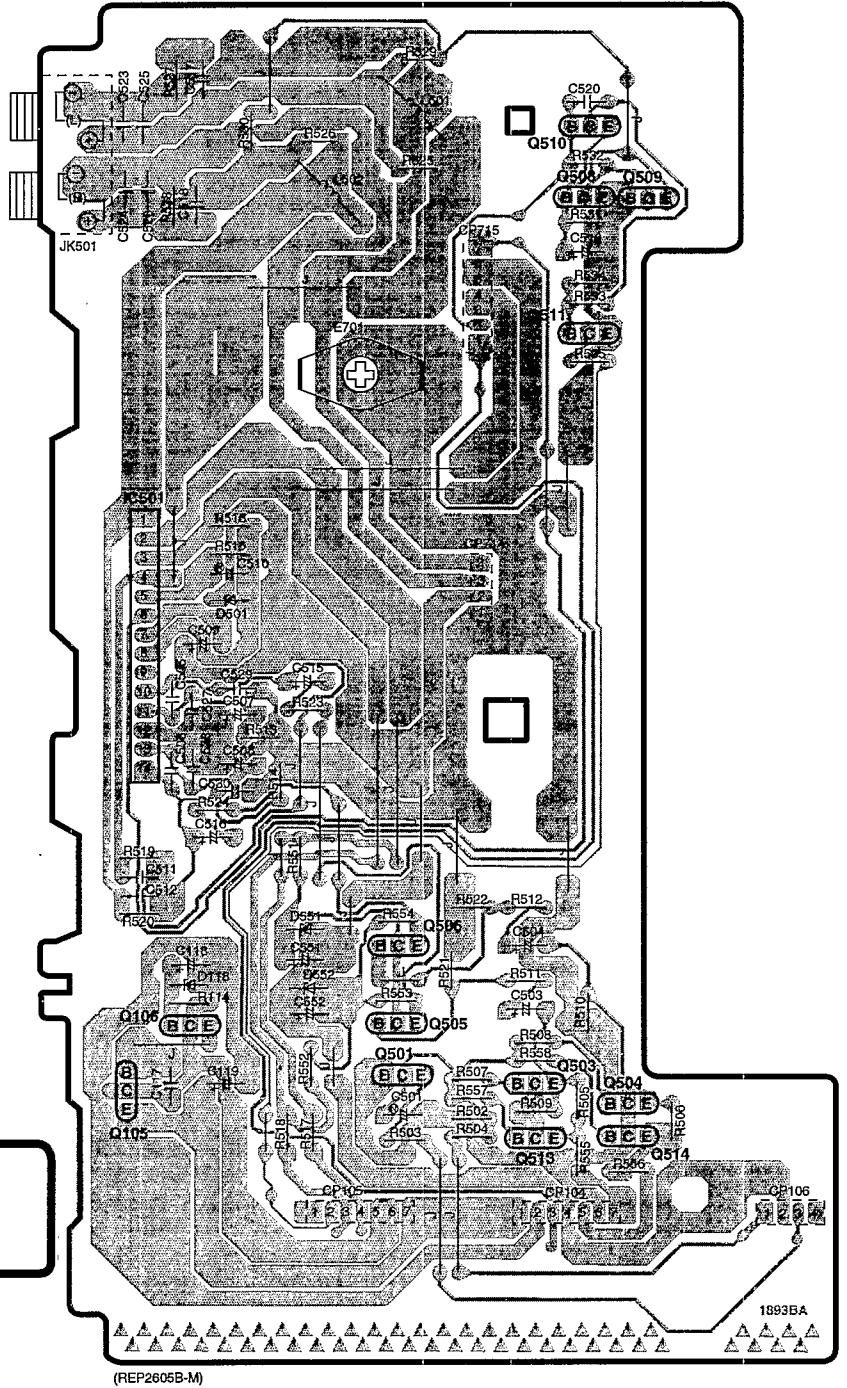
Printed Circuit Board Diagram

(This printed circuit board diagram may be modified at any time with the development of new technology.)

A AC IN P.C.B.

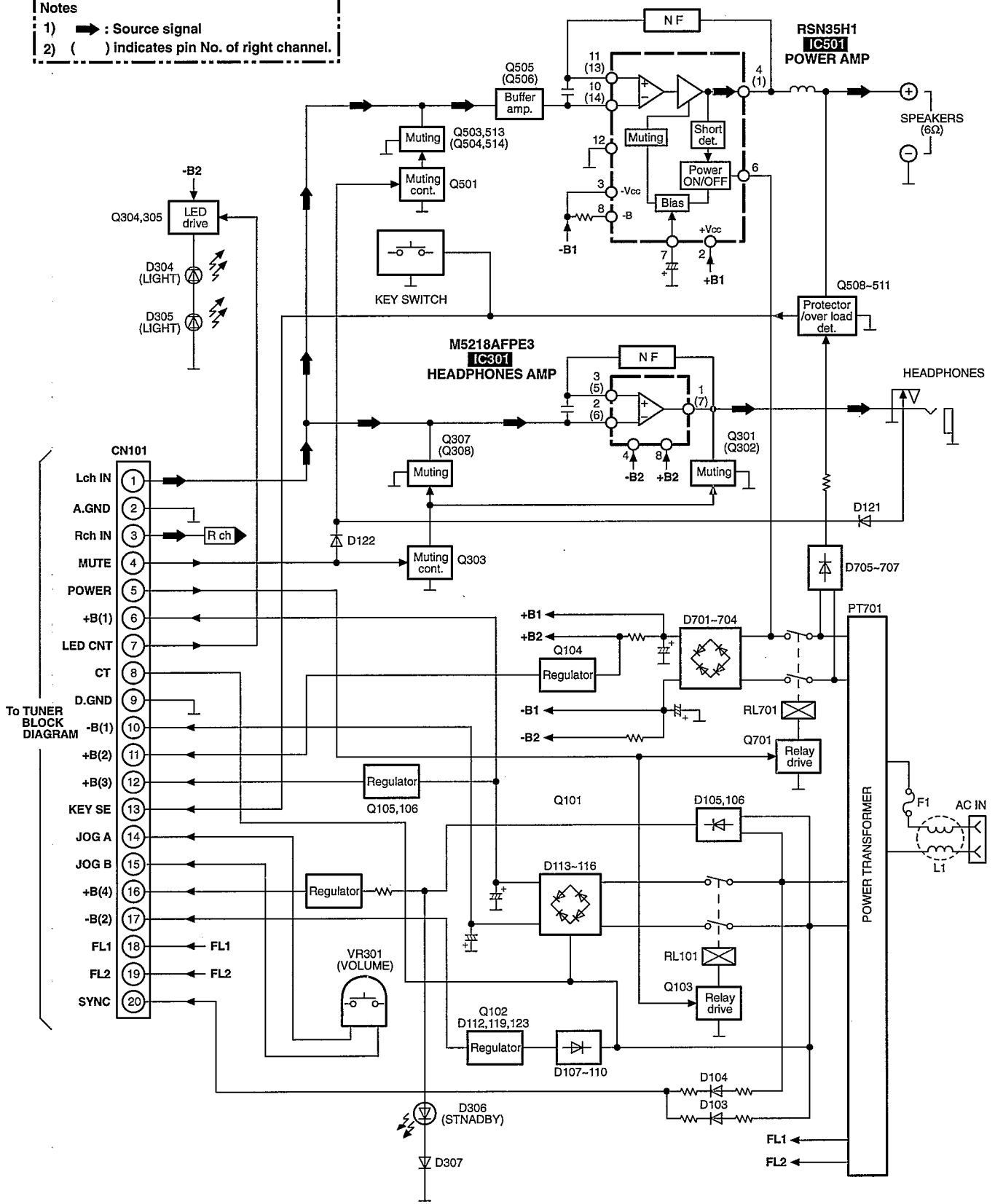


C MAIN P.C.B.

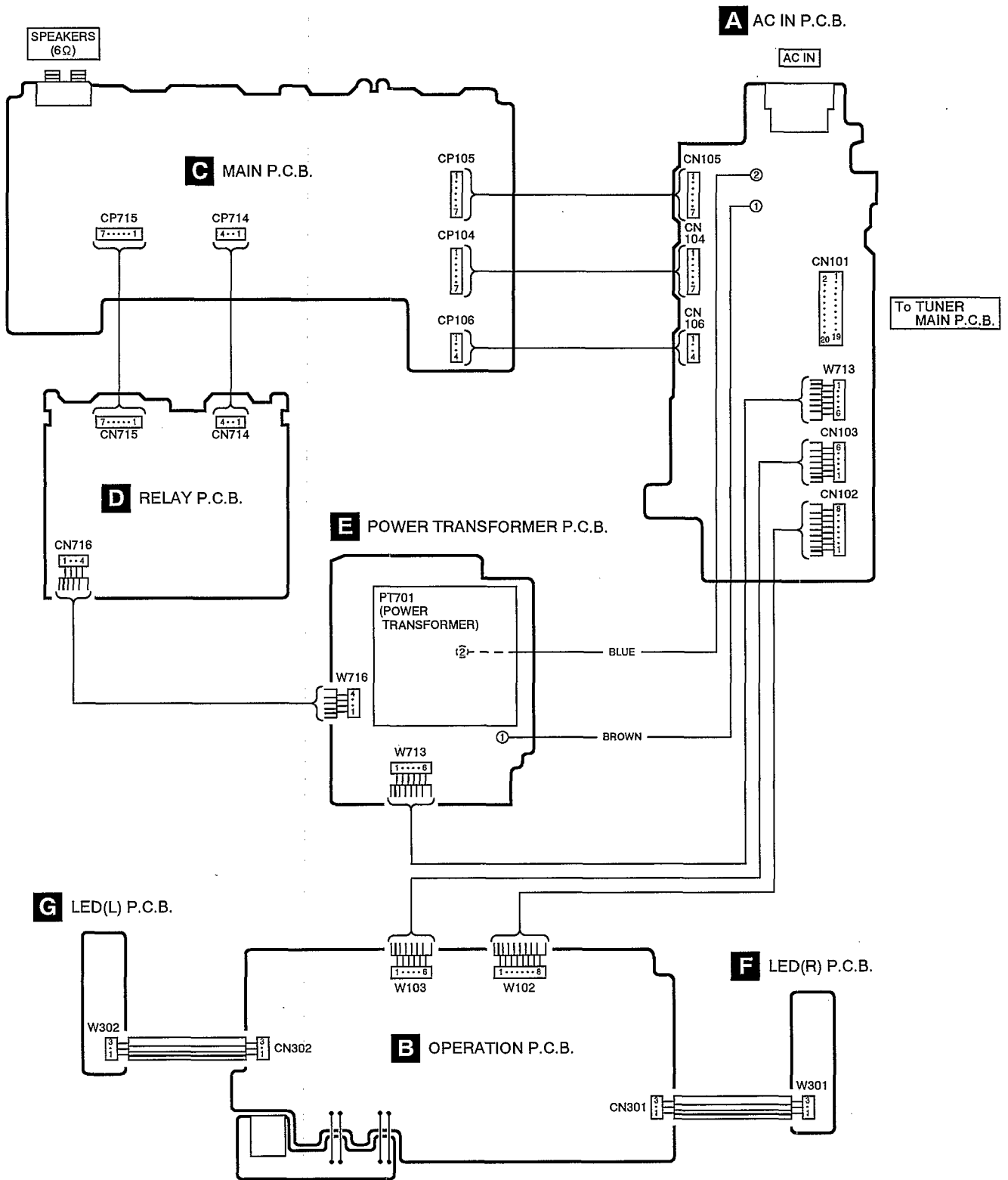


Block Diagram

- Notes**
- 1) \blackrightarrow : Source signal
 - 2) () indicates pin No. of right channel.



Wiring Connection Diagram



Replacement Parts List

Notes: * Important safety notice:

Components identified by Δ mark have special characteristics important for safety.

Furthermore, special parts which have purposes of fire-retardant (resistors), high-quality sound (capacitors), low-noise (resistors), etc. are used.

When replacing any of components, be sure to use only manufacturer's specified parts shown in the parts list.

* The parenthesized indications in the Remarks columns specify the areas. (Refer to the cover page for area.) Parts without these indications can be used for all areas.

* Remote Control Ass'y: Supply period for three years from terminal of production.

* Capacity values are in microfarads (μ F) unless specified otherwise, P=Pico-farads (pF), F=Farads (F)

* Resistance values are in ohms, unless specified otherwise, 1K=1,000 (OHM), 1M=1,000k (OHM)

* "<IA>, <IB>, <IC>, <ID>, <IE>" marks in Remarks indicate language of instruction manual.

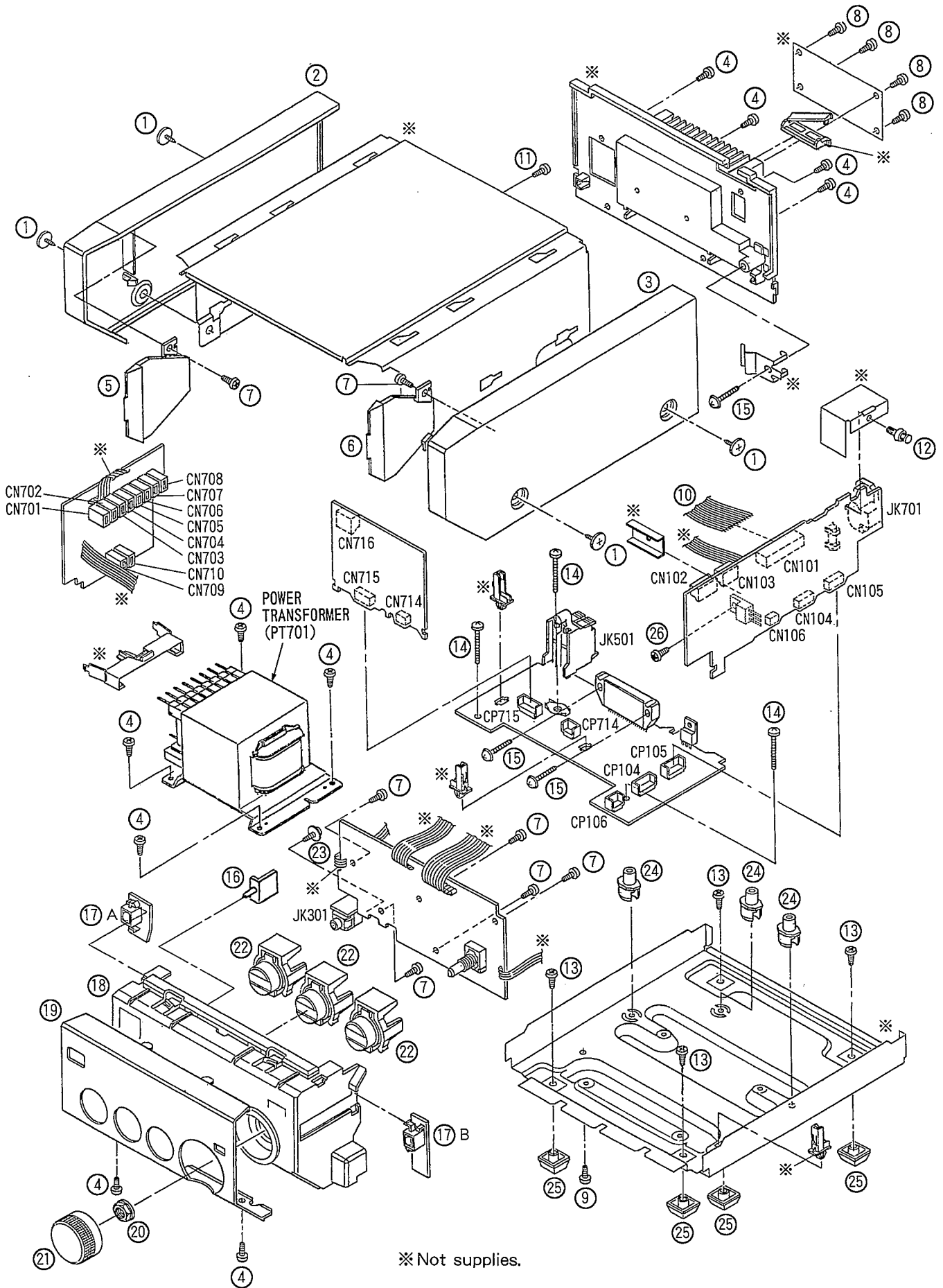
[<IA>: French/Spanish/Swedish, <IB>: German/Italy/Dutch, <IC>: Danish, <ID>: English, <IE>: Russian/Polish/Czeco]

Ref.No.	Part No.	Part Name & Description	Pcs	Remarks
1	RHD30007-S	SCREW	4	
2	RGK0972-S	SIDE PANEL (L)	1	
3	RGK0973-S	SIDE PANEL (R)	1	
4	XTBS3+8JFZ1	SCREW	10	
5	RGL0394-Q	PANEL LIGHT (L)	1	
6	RGL0395-Q	PANEL LIGHT (R)	1	
7	XTBS26+8J	SCREW	7	
8	XTB3+6JFZ	SCREW	4	
9	XTB3+12JFZ	SCREW	1	
10	REX0899	FLAT CABLE (20P)	1	
11	XTBS3+10JFZ1	SCREW	1	
12	SHR9112	RIVET	1	
13	XTB3+5JFZ	SCREW	4	
14	XTB3+20JFZ	SCREW	3	
15	XTW3+15T	SCREW	3	
16	RGL0393-Q	PANEL LIGHT	1	
17	REP2684A-S	LED (L, R) P. C. B. ASS'Y	1	
18	RCP0640-S	GRILLE	1	
19	RCG0147A-S	ALUMI PANEL	1	
20	RHN90001	NUT	1	
21	RGW0277-S	KNOB, VOLUME	1	
22	RGU1603-S	BUTTON	3	
23	RHD26016	SCREW	1	
24	RKQ0089-2	P. C. B. SUPPORT	3	
25	RKA0098-K	FOOT	4	
26	XTB3+8JFZ	SCREW	1	
27	RGH0143A-K	NAME PLATE	1	(E, EG, EP)
27	RGH0143C-K	NAME PLATE	1	(EB)
A1	RQCA0612	QUICK SET UP GUIDE	1	(EB)
A2	EUR646467	REMOTE CONT. TRANSMITTER	1	
A2-1	UR64EC1987	BATT. COVER (REMOTE CONT.)	1	
A3	REE0393	SPEAKER CORD	2	
Δ A4	RJA0019-X	AC POWER SUPPLY CORD	1	(E, EG, EP)
Δ A4	RJA0053-1X	AC POWER SUPPLY CORD	1	(EB)
A5	RQAD0117	WARRANTY CARD	1	
A6	RQT4405-E	INSTRUCTION MANUAL	1	(E) <IA>
A6	RQT4406-D	INSTRUCTION MANUAL	1	(EG) <IB>
A6	RQT4407-H	INSTRUCTION MANUAL	1	(EG) <IC>

Ref.No.	Part No.	Part Name & Description	Pcs	Remarks
A6	RQT4408-B	INSTRUCTION MANUAL	1	(EB) (EP) <ID>
A6	RQT4409-R	INSTRUCTION MANUAL	1	(EP) <IE>
A7	RSA0007	FM INDOOR ANTENNA	1	
A8	RSA0021	AM LOOP ANTENNA	1	
A9	RQCB0169	SERVICENTER LIST	1	
A10	SJP9009	AC PLUG ADAPTOR	1	(EB)
Δ C101	RCE1EW471BV	25V 470U	1	
Δ C102	ECA2AM470B	100V 47U	1	
C103	ECA1EM101B	25V 100U	1	
Δ C104, 05	ECA1HM470B	50V 47U	2	
C106	ECBT1E103ZF5	25V 0.01U	1	
C107	RCE1AKA470BG	10V 47U	1	
C108	RCE1VKA100BG	35V 10U	1	
C109	RCE1AKA470BG	10V 47U	1	
C110	ECEA1VKA470B	35V 47U	1	
C111, 12	ECKR1H103ZF5	50V 0.01U	2	
C113	ECBT1E103ZF5	25V 0.01U	1	
C114	ECA1EM101B	25V 100U	1	
Δ C115	ECA1EM222E	25V 2200U	1	
Δ C116	RCE1EW471BV	25V 470U	1	
C117	ECBT1E103ZF5	25V 0.01U	1	
C118, 19	RCE1CKA100BG	16V 10U	2	
C121, 22	ECBT1E103ZF5	25V 0.01U	2	
C123, 24	ECEA1EKA4R7B	25V 4.7U	2	
C125	ECBT1E103ZF5	25V 0.01U	1	
C301, 02	ECBT1H473ZF5	50V 0.047U	2	
C303	ECEA0JKA221B	6.3V 220U	1	
C304	ECEA0JKA101B	6.3V 100U	1	
C305, 06	ECBT1E103ZF5	25V 0.01U	2	
C307-10	ECBT1H101KB5	50V 100P	4	
C311, 12	ECEA1HKA010B	50V 1U	2	
C313, 14	ECBT1H331KB5	50V 330P	2	
C315, 16	ECEA1EKA4R7B	25V 4.7U	2	
C317, 18	ECBT1E103ZF5	25V 0.01U	2	
C501	ECEA1CKN100B	16V 10U	1	
C503, 04	RCE1HKA3R3BG	50V 3.3U	2	
C505, 06	ECBT1C122KR5	16V 1200P	2	
C507, 08	ECEA1HKA010B	50V 1U	2	
C509	ECA1HM470B	50V 47U	1	
C510	ECEA1HN2R2SB	50V 2.2U	1	
C511, 12	ECBT1H150J5	50V 15P	2	
C515, 16	RCE1HKA3R3BG	50V 3.3U	2	
C517, 18	ECBT1H104ZF5	50V 0.1U	2	
C519	ECEA0JKA101B	6.3V 100U	1	
C520	ECBT1E223ZF5	25V 0.022U	1	
C523, 24	ECBT1E223ZF5	25V 0.022U	2	
C525-30	ECBT1H102KB5	50V 1000P	6	
C551, 52	RCE1AKA330BG	10V 33U	2	
Δ C701, 02	ECA1VM332E	35V 3300U	2	
C703	ECQE1104KF3	100V 0.1U	1	
C704	ECKR2H102ZF5	500V 1000P	1	
C705	ECA1HM470B	50V 47U	1	
CN101	RJS2A5520-1	CONNECTOR (20P)	1	
CN102	RJS8T7ZA	CONNECTOR (8P)	1	
CN103	RJS6T7ZA	CONNECTOR (6P)	1	
CN104, 05	RJU057W007	CONNECTOR (7P)	2	
CN106	RJU057W004	CONNECTOR (4P)	1	
CN301, 02	RJS1A6603T1	CONNECTOR (3P)	2	
CN701-10	RJS1A1101T1	CONNECTOR (1P)	10	
CN714	RJU057W004	CONNECTOR (4P)	1	
CN715	RJU057W007	CONNECTOR (7P)	1	
CN716	RJS4T6ZA	CONNECTOR (4P)	1	
CP104, 05	RJT057W007-1	CONNECTOR (7P)	2	
CP106	RJT057W004-1	CONNECTOR (4P)	1	
CP714	RJT057W004-1	CONNECTOR (4P)	1	
CP715	RJT057W007-1	CONNECTOR (7P)	1	
D101	MA4051MTA	DIODE	1	
D102-04	MA165	DIODE	3	
Δ D105-10	RL1N4003N02	DIODE	6	
Δ D111	MA4062-H	DIODE	1	
Δ D112	MA4300M	DIODE	1	

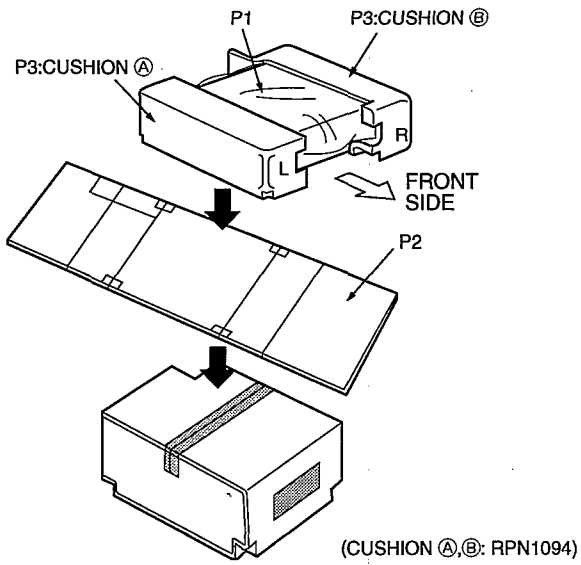
Ref. No.	Part No.	Part Name & Description	Pcs	Remarks	Ref. No.	Part No.	Part Name & Description	Pcs	Remarks
△ D113, 14	1N5402BF	DIODE	2		R107	ERDS2FJ222	1/4W 2.2K	1	
△ D115, 16	RL1N4003N02	DIODE	2		R108	ERDS2FJ472	1/4W 4.7K	1	
△ D117	MA4160W	DIODE	1		R109	ERDS2TJ473T	1/4W 47K	1	
△ D118	MA4110MTA	DIODE	1		R110	ERDS2FJ392	1/4W 3.9K	1	
D119	RL1N4003N02	DIODE	1		△ R111	ERDS2FJ680	1/4W 68	1	
D121, 22	MA165	DIODE	2		R113	ERDS2FJ392	1/4W 3.9K	1	
D123	RL1N4003N02	DIODE	1		R114	ERDS2FJ102	1/4W 1K	1	
D124	MA165	DIODE	1		R115	ERDS2FJ472	1/4W 4.7K	1	
△ D301, 02	MA4150W	DIODE	2		R116	ERDS2TJ182T	1/4W 1.8K	1	
D303	MA4082MTA	DIODE	1		R117	ERDS2FJ102	1/4W 1K	1	
D306	SLR-325VC	LED	1		R301	ERDS2TJ821T	1/4W 820	1	
D307	MA165	DIODE	1		R302	ERDS2FJ102	1/4W 1K	1	
D501	MA4150W	DIODE	1		R303	ERDS2TJ122T	1/4W 1.2K	1	
△ D551, 52	MA4051MTA	DIODE	2		R304	ERDS2TJ152T	1/4W 1.5K	1	
△ D701-04	1N5402BF	DIODE	4		R305	ERDS2TJ182T	1/4W 1.8K	1	
△ D705, 06	RL1N4003N02	DIODE	2		R306	ERDS2FJ222	1/4W 2.2K	1	
△ D707	MA4051MTA	DIODE	1		R307	ERDS2TJ332T	1/4W 3.3K	1	
D708	MA165	DIODE	1		R308	ERDS2FJ102	1/4W 1K	1	
△ F1	XBA2C08TBD	FUSE, T0. 8A	1		△ R309, 10	ERD25FVJ821T	1/4W 820	2	
△ FP701, 02	RSFMB40KT-L	FUSE PROTECTOR	2		R312	ERDS2FJ272	1/4W 2.7K	1	
IC301	M5218AFPE3	IC	1		R313, 14	ERDS2TJ121T	1/4W 120	2	
△ IC501	RSN35H1	IC	1		R315-18	ERDS2FJ470	1/4W 47	4	
JK301	RJJ377N01-C	JACK, HEADPHONES	1		R319, 20	ERDS2TJ563T	1/4W 56K	2	
JK501	RJR0054	JACK, SPEAKERS	1		R321, 22	ERDS2FJ472	1/4W 4.7K	2	
△ JK701	SJS9236-1	JACK, AC INLET	1		R323, 24	ERDS2TJ123T	1/4W 12K	2	
△ L1	RLQZ271M	COIL, CHOKE	1		R327	ERDS2FJ103	1/4W 10K	1	
L501, 02	SLQY07G-40	COIL, CHOKE	2		△ R328	ERDS1FJ471	1/2W 470	1	
P1	SPP740	PROTECTION BAG	4		R329	ERDS2TJ123T	1/4W 12K	1	
P2	RPG3672	PACKING CASE (AMPLIFIER)	1		R331, 32	ERDS2FJ472	1/4W 4.7K	2	
P2	RPG3673	PACKING CASE (DECK)	1		R333, 34	ERDS2TJ122T	1/4W 1.2K	2	
P2	RPG3674	PACKING CASE (CD/TUNER)	2		R336	ERDS2TJ121T	1/4W 120	1	
P3	RPNI094	CUSHION (AMPLIFIER)	1		R502	ERDS2FJ684	1/4W 680K	1	
P3	RPNI095	CUSHION (DECK)	1		R503	ERDS2FJ102	1/4W 1K	1	
P3	RPNI096	CUSHION (CD/TUNER)	2		R504	ERDS2FJ105	1/4W 1M	1	
P4	RPG3892	PACKING CASE (SYSTEM)	1 (E)		R505, 06	ERDS2FJ472	1/4W 4.7K	2	
P4	RPG3893	PACKING CASE (SYSTEM)	1 (EP)		R507, 08	ERDS2TJ122T	1/4W 1.2K	2	
P4	RPG3959	PACKING CASE (SYSTEM)	1 (EG)		R509, 10	ERDS2FJ104	1/4W 100K	2	
P4	RPG3960	PACKING CASE (SYSTEM)	1 (EB)		R511, 12	ERDS2FJ102	1/4W 1K	2	
P5	RPF0139	PROTECTION BAG (F.B.)	1		R513, 14	ERDS2TJ563T	1/4W 56K	2	
P6	RPQ0164	PAD	1		R515	ERDS2TJ334T	1/4W 330K	1	
P7	RPQ0837	PAD	1		△ R516	ERD25FVJ821T	1/4W 820	1	
△ PT701	RTP1V5B010-W	POWER TRANSFORMER	1 (EB)		△ R517, 18	ERD25FVJ2R2T	1/4W 2.2	2	
△ PT701	RTP1V5E007-W	POWER TRANSFORMER	1 (E, EG, EP)		R519, 20	ERDS2TJ563T	1/4W 56K	2	
△ Q101	2SD2374PQAU	TRANSISTOR	1		R521, 22	ERDS2TJ473T	1/4W 47K	2	
△ Q102	2SB621AQRSTA	TRANSISTOR	1		R523, 24	ERDS2FJ272	1/4W 2.7K	2	
Q103	2SC3311A1RTA	TRANSISTOR	1		△ R525, 26	ERDS2FJ100	1/4W 10	2	
△ Q104	2SC3940AQSTA	TRANSISTOR	1		△ R527, 28	ERDS1FJ100	1/2W 10	2	
△ Q105	2SD2374PQAU	TRANSISTOR	1		R529	ERDS2FJ823	1/4W 82K	1	
△ Q106	2SD2144STA	TRANSISTOR	1		R530	ERDS2FJ124	1/4W 120K	1	
Q301, 02	2SD2144STA	TRANSISTOR	2		R531	ERDS2TJ563T	1/4W 56K	1	
Q303	UN4115TA	TRANSISTOR	1		R532	ERDS2TJ564T	1/4W 560K	1	
Q304	2SA1309A1QTA	TRANSISTOR	1		R533	ERDS2TJ223T	1/4W 22K	1	
Q305	2SD592AQRSTA	TRANSISTOR	1		R534	ERDS2FJ103	1/4W 10K	1	
Q307, 08	2SD2144STA	TRANSISTOR	2		R535	ERDS2TJ473T	1/4W 47K	1	
Q501	UN4115TA	TRANSISTOR	1		R551-56	ERDS2FJ472	1/4W 4.7K	6	
Q503, 04	2SD2144STA	TRANSISTOR	2		R557, 58	ERDS2TJ122T	1/4W 1.2K	2	
Q505, 06	2SC3311A1RTA	TRANSISTOR	2		R702	ERDS2FJ392	1/4W 3.9K	1	
Q508, 09	2SC3311A1RTA	TRANSISTOR	2		R703	ERDS2TJ333T	1/4W 33K	1	
Q510	2SA1309A1QTA	TRANSISTOR	1		△ R704	ERDS2FJ680	1/4W 68	1	
Q511	2SC3311A1RTA	TRANSISTOR	1		R707	ERDS2TJ684T	1/4W 680K	1	
Q513, 14	2SD2144STA	TRANSISTOR	2		R708	ERDS2FJ104	1/4W 100K	1	
Q701	2SC3311A1RTA	TRANSISTOR	1		△ RL101	RSY0013M-0	RELAY	1	
R101	ERDS2FJ103	1/4W 10K	1		△ RL701	RSY0013M-0	RELAY	1	
R102, 03	ERDS2FJ682	1/4W 6.8K	2		S301-08	EVQPTD05Q	SW, TACT	8	
R104	ERDS2FJ101	1/4W 100	1		VR301	EVQVBXFK124B	V. R, VOLUME	1	
△ R105, 06	ERDS2FJ100	1/4W 10	2						

Cabinet Parts Location

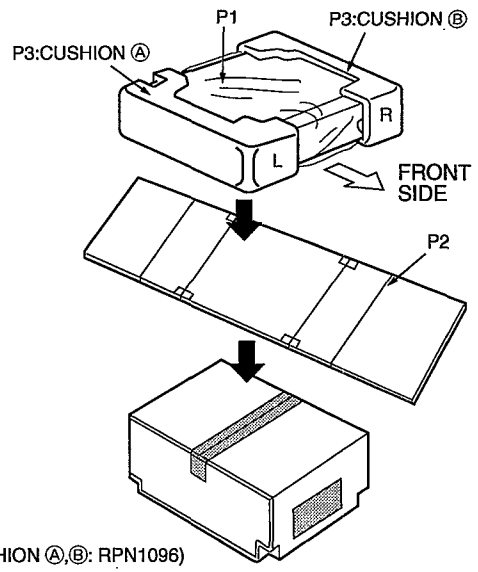


■ Packaging

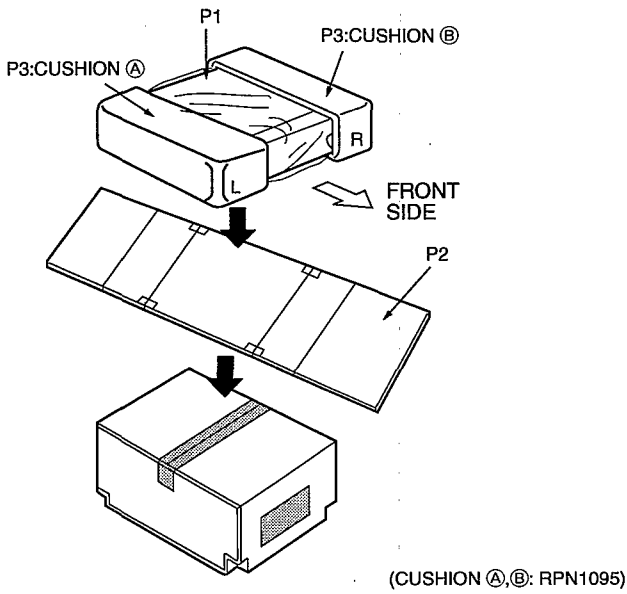
Amplifier : SE-HD55



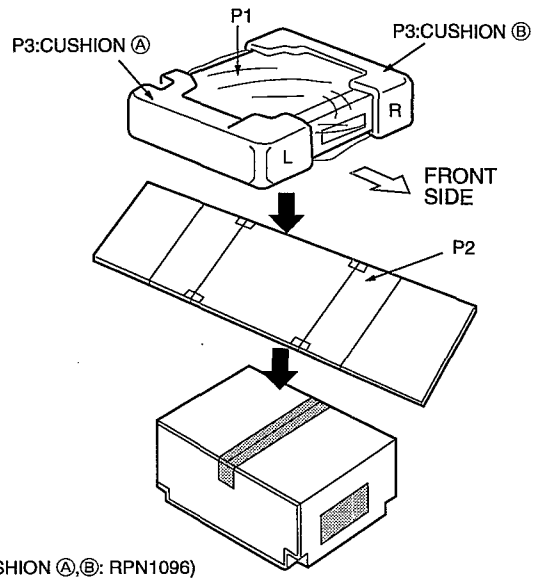
CD Player : SL-HD55

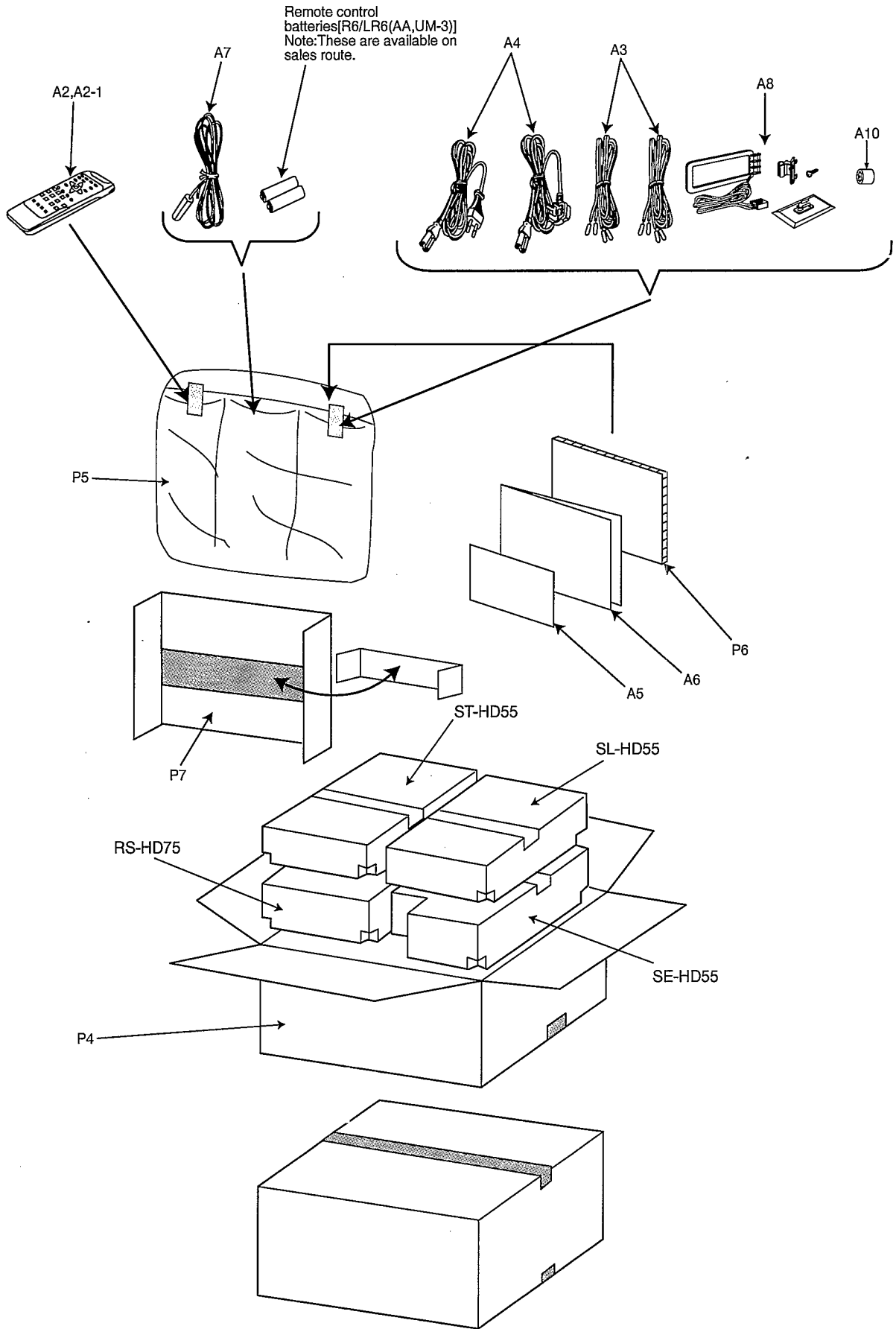


Cassette deck : RS-HD75



Tuner : ST-HD55





■ Replacement Parts List

Notes: * Important safety notice:

Components identified by Δ mark have special characteristics important for safety.

Furthermore, special parts which have purposes of fire-retardant (resistors), high-quality sound (capacitors), low-noise (resistors), etc. are used.

When replacing any of components, be sure to use only manufacturer's specified parts shown in the parts list.

* The parenthesized indications in the Remarks columns specify the areas. (Refer to the cover page for area.) Parts without these indications can be used for all areas.

* Remote Control Ass'y: Supply period for three years from terminal of production.

* Capacity values are in microfarads (μ F) unless specified otherwise, P=Pico-farads (pF), F=Farads (F)

* Resistance values are in ohms, unless specified otherwise, 1K=1,000 (OHM), 1M=1,000k (OHM)

* "<IA>, <IB>, <IC>, <ID>, <IE>" marks in Remarks indicate language of instruction manual.

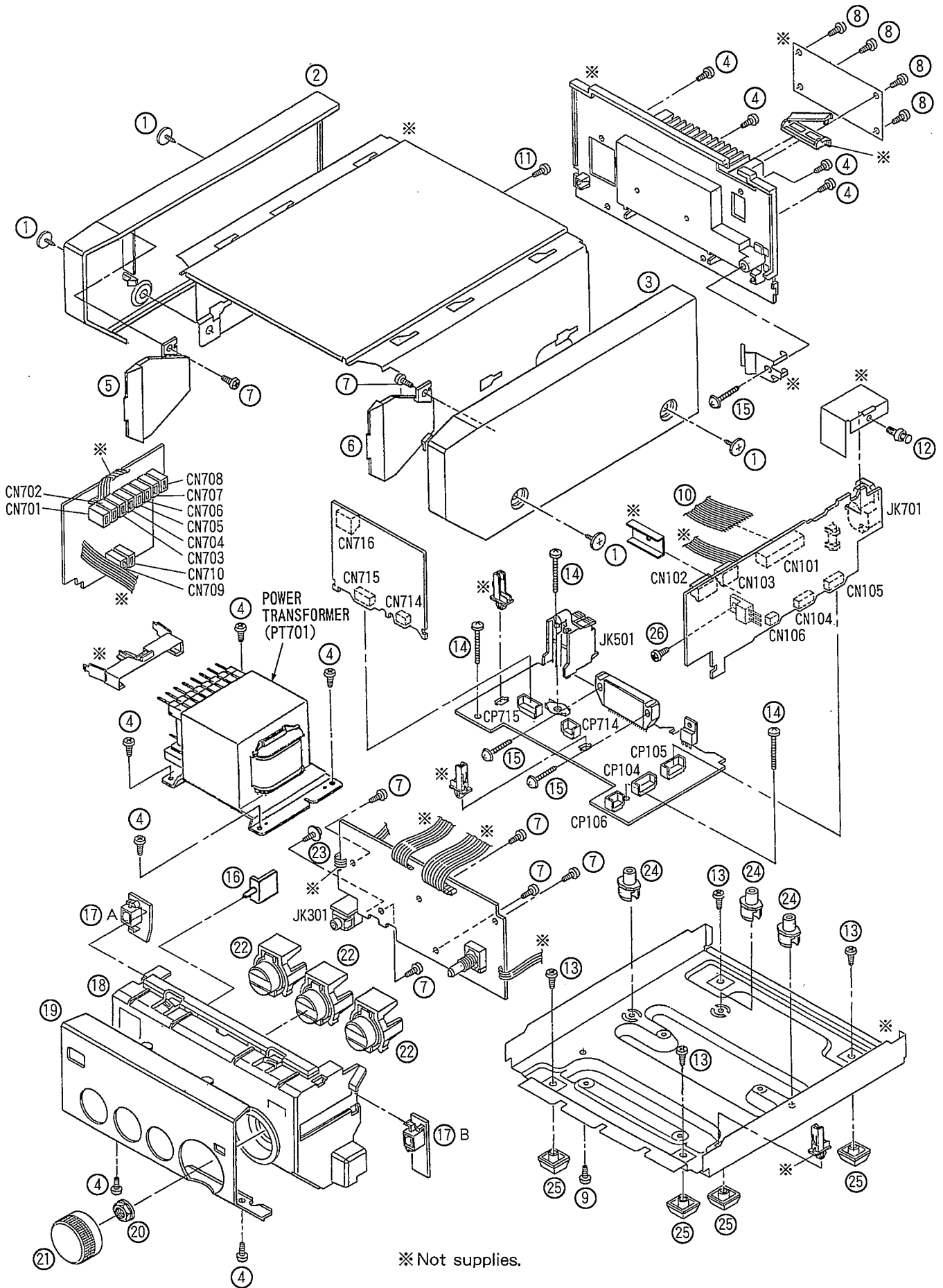
[<IA>: French/Spanish/Swedish, <IB>: German/Italy/Dutch, <IC>: Danish, <ID>: English, <IE>: Russian/Polish/Czeco]

Ref.No.	Part No.	Part Name & Description	Pcs	Remarks
1	RHD30007-S	SCREW	4	
2	RGK0972-S	SIDE PANEL (L)	1	
3	RGK0973-S	SIDE PANEL (R)	1	
4	XTBS3+8JFZ1	SCREW	10	
5	RGL0394-Q	PANEL LIGHT (L)	1	
6	RGL0395-Q	PANEL LIGHT (R)	1	
7	XTBS26+8J	SCREW	7	
8	XTB3+6JFZ	SCREW	4	
9	XTB3+12JFZ	SCREW	1	
10	REX0899	FLAT CABLE (20P)	1	
11	XTBS3+10JFZ1	SCREW	1	
12	SHR9112	RIVET	1	
13	XTB3+5JFZ	SCREW	4	
14	XTB3+20JFZ	SCREW	3	
15	XTW3+15T	SCREW	3	
16	RGL0393-Q	PANEL LIGHT	1	
17	REP2684A-S	LED (L, R) P. C. B. ASS'Y	1	
18	RCP0640-S	GRILLE	1	
19	RCG0147A-S	ALUMI PANEL	1	
20	RHN90001	NUT	1	
21	RGW0277-S	KNOB, VOLUME	1	
22	RGU1603-S	BUTTON	3	
23	RHD26016	SCREW	1	
24	RKQ0089-2	P. C. B. SUPPORT	3	
25	RKA0098-K	FOOT	4	
26	XTB3+8JFZ	SCREW	1	
27	RGH0143A-K	NAME PLATE	1	(E, EG, EP)
27	RGH0143C-K	NAME PLATE	1	(EB)
A1	RQCA0612	QUICK SET UP GUIDE	1	(EB)
A2	EUR646467	REMOTE CONT. TRANSMITTER	1	
A2-1	UR64EC1987	BATT. COVER (REMOTE CONT.)	1	
A3	REE0393	SPEAKER CORD	2	
Δ A4	RJA0019-X	AC POWER SUPPLY CORD	1	(E, EG, EP)
Δ A4	RJA0053-1X	AC POWER SUPPLY CORD	1	(EB)
A5	RQAD0117	WARRANTY CARD	1	
A6	RQT4405-E	INSTRUCTION MANUAL	1	(E)<IA>
A6	RQT4406-D	INSTRUCTION MANUAL	1	(EG)<IB>
A6	RQT4407-H	INSTRUCTION MANUAL	1	(EG)<IC>

Ref.No.	Part No.	Part Name & Description	Pcs	Remarks
A6	RQT4408-B	INSTRUCTION MANUAL	1	(EB) (EP) <ID>
A6	RQT4409-R	INSTRUCTION MANUAL	1	(EP) <IE>
A7	RSA0007	FM INDOOR ANTENNA	1	
A8	RSA0021	AM LOOP ANTENNA	1	
A9	RQCB0169	SERVICENTER LIST	1	
A10	SJP9009	AC PLUG ADAPTOR	1	(EB)
Δ C101	RCE1EW471BV	25V 470U	1	
Δ C102	ECA2AM470B	100V 47U	1	
C103	ECA1EM101B	25V 100U	1	
Δ C104, 05	ECA1HM470B	50V 47U	2	
C106	ECBT1E103ZF5	25V 0.01U	1	
C107	RCE1AKA470BG	10V 47U	1	
C108	RCE1VKA100BG	35V 10U	1	
C109	RCE1AKA470BG	10V 47U	1	
C110	ECEA1VKA470B	35V 47U	1	
C111, 12	ECKR1H103ZF5	50V 0.01U	2	
C113	ECBT1E103ZF5	25V 0.01U	1	
C114	ECA1EM101B	25V 100U	1	
Δ C115	ECA1EM222E	25V 2200U	1	
Δ C116	RCE1EW471BV	25V 470U	1	
C117	ECBT1E103ZF5	25V 0.01U	1	
C118, 19	RCE1CKA100BG	16V 10U	2	
C121, 22	ECBT1E103ZF5	25V 0.01U	2	
C123, 24	ECEA1EKA4R7B	25V 4.7U	2	
C125	ECBT1E103ZF5	25V 0.01U	1	
C301, 02	ECBT1H473ZF5	50V 0.047U	2	
C303	ECEA0JKA221B	6.3V 220U	1	
C304	ECEA0JKA101B	6.3V 100U	1	
C305, 06	ECBT1E103ZF5	25V 0.01U	2	
C307-10	ECBT1H101KB5	50V 100P	4	
C311, 12	ECEA1HKA010B	50V 1U	2	
C313, 14	ECBT1H331KB5	50V 330P	2	
C315, 16	ECEA1EKA4R7B	25V 4.7U	2	
C317, 18	ECBT1E103ZF5	25V 0.01U	2	
C501	ECEA1CKN100B	16V 10U	1	
C503, 04	RCE1HKA3R3BG	50V 3.3U	2	
C505, 06	ECBT1C122KR5	16V 1200P	2	
C507, 08	ECEA1HKA010B	50V 1U	2	
C509	ECA1HM470B	50V 47U	1	
C510	ECEA1HN2R2SB	50V 2.2U	1	
C511, 12	ECBT1H150J5	50V 15P	2	
C515, 16	RCE1HKA3R3BG	50V 3.3U	2	
C517, 18	ECBT1H104ZF5	50V 0.1U	2	
C519	ECEA0JKA101B	6.3V 100U	1	
C520	ECBT1E223ZF5	25V 0.022U	1	
C523, 24	ECBT1E223ZF5	25V 0.022U	2	
C525-30	ECBT1H102KB5	50V 1000P	6	
C551, 52	RCE1AKA300BG	10V 33U	2	
Δ C701, 02	ECA1VM332E	35V 3300U	2	
C703	ECQE1104KF3	100V 0.1U	1	
C704	ECKR2H102ZF5	500V 1000P	1	
C705	ECA1HM470B	50V 47U	1	
CN101	RJS2A5520-1	CONNECTOR (20P)	1	
CN102	RJS8T7ZA	CONNECTOR (8P)	1	
CN103	RJS6T7ZA	CONNECTOR (6P)	1	
CN104, 05	RJU057W007	CONNECTOR (7P)	2	
CN106	RJU057W004	CONNECTOR (4P)	1	
CN301, 02	RJS1A6603T1	CONNECTOR (3P)	2	
CN701-10	RJS1A1101T1	CONNECTOR (1P)	10	
CN714	RJU057W004	CONNECTOR (4P)	1	
CN715	RJU057W007	CONNECTOR (7P)	1	
CN716	RJS4T6ZA	CONNECTOR (4P)	1	
CP104, 05	RJT057W007-1	CONNECTOR (7P)	2	
CP106	RJT057W004-1	CONNECTOR (4P)	1	
CP714	RJT057W004-1	CONNECTOR (4P)	1	
CP715	RJT057W007-1	CONNECTOR (7P)	1	
D101	MA4051MTA	DIODE	1	
D102-04	MA165	DIODE	3	
Δ D105-10	RL1N4003N02	DIODE	6	
Δ D111	MA4062-H	DIODE	1	
Δ D112	MA4300M	DIODE	1	

Ref. No.	Part No.	Part Name & Description	Pcs	Remarks	Ref. No.	Part No.	Part Name & Description	Pcs	Remarks
△ D113, 14	1N5402BF	DIODE	2		R107	ERDS2FJ222	1/4W 2.2K	1	
△ D115, 16	RL1N4003N02	DIODE	2		R108	ERDS2FJ472	1/4W 4.7K	1	
△ D117	MA4160W	DIODE	1		R109	ERDS2TJ473T	1/4W 47K	1	
△ D118	MA4110MTA	DIODE	1		R110	ERDS2FJ392	1/4W 3.9K	1	
D119	RL1N4003N02	DIODE	1		△ R111	ERDS2FJ680	1/4W 68	1	
D121, 22	MA165	DIODE	2		R113	ERDS2FJ392	1/4W 3.9K	1	
D123	RL1N4003N02	DIODE	1		R114	ERDS2FJ102	1/4W 1K	1	
D124	MA165	DIODE	1		R115	ERDS2FJ472	1/4W 4.7K	1	
△ D301, 02	MA4150W	DIODE	2		R116	ERDS2TJ182T	1/4W 1.8K	1	
D303	MA4082MTA	DIODE	1		R117	ERDS2FJ102	1/4W 1K	1	
D306	SLR-325VC	LED	1		R301	ERDS2TJ821T	1/4W 820	1	
D307	MA165	DIODE	1		R302	ERDS2FJ102	1/4W 1K	1	
D501	MA4150W	DIODE	1		R303	ERDS2TJ122T	1/4W 1.2K	1	
△ D551, 52	MA4051MTA	DIODE	2		R304	ERDS2TJ152T	1/4W 1.5K	1	
△ D701-04	1N5402BF	DIODE	4		R305	ERDS2TJ182T	1/4W 1.8K	1	
△ D705, 06	RL1N4003N02	DIODE	2		R306	ERDS2FJ222	1/4W 2.2K	1	
△ D707	MA4051MTA	DIODE	1		R307	ERDS2TJ332T	1/4W 3.3K	1	
D708	MA165	DIODE	1		R308	ERDS2FJ102	1/4W 1K	1	
					△ R309, 10	ERD25FVJ821T	1/4W 820	2	
△ F1	XBA2C08TBD	FUSE, T0. 8A	1		R312	ERDS2FJ272	1/4W 2.7K	1	
△ FP701, 02	RSFMB40KT-L	FUSE PROTECTOR	2		R313, 14	ERDS2TJ121T	1/4W 120	2	
					R315-18	ERDS2FJ470	1/4W 47	4	
IC301	M5218AFPE3	IC	1		R319, 20	ERDS2TJ563T	1/4W 56K	2	
△ IC501	RSN35H1	IC	1		R321, 22	ERDS2FJ472	1/4W 4.7K	2	
					R323, 24	ERDS2TJ123T	1/4W 12K	2	
					R327	ERDS2FJ103	1/4W 10K	1	
JK301	RJJ377N01-C	JACK, HEADPHONES	1		△ R328	ERDS1FJ471	1/2W 470	1	
JK501	RJR0054	JACK, SPEAKERS	1		R329	ERDS2TJ123T	1/4W 12K	1	
△ JK701	SJS9236-1	JACK, AC INLET	1		R331, 32	ERDS2FJ472	1/4W 4.7K	2	
					R333, 34	ERDS2TJ122T	1/4W 1.2K	2	
△ L1	RLQZ271M	COIL, CHOKE	1		R336	ERDS2TJ121T	1/4W 120	1	
L501, 02	SLQY07G-40	COIL, CHOKE	2		R502	ERDS2FJ684	1/4W 680K	1	
					R503	ERDS2FJ102	1/4W 1K	1	
P1	SPP740	PROTECTION BAG	4		R504	ERDS2FJ105	1/4W 1M	1	
P2	RPG3672	PACKING CASE (AMPLIFIER)	1		R505, 06	ERDS2FJ472	1/4W 4.7K	2	
P2	RPG3673	PACKING CASE (DECK)	1		R507, 08	ERDS2TJ122T	1/4W 1.2K	2	
P2	RPG3674	PACKING CASE (CD/TUNER)	2		R509, 10	ERDS2FJ104	1/4W 100K	2	
P3	RPN1094	CUSHION (AMPLIFIER)	1		R511, 12	ERDS2FJ102	1/4W 1K	2	
P3	RPN1095	CUSHION (DECK)	1		R513, 14	ERDS2TJ563T	1/4W 56K	2	
P3	RPN1096	CUSHION (CD/TUNER)	2		R515	ERDS2TJ334T	1/4W 330K	1	
P4	RPG3892	PACKING CASE (SYSTEM)	1 (E)		△ R516	ERD25FVJ821T	1/4W 820	1	
P4	RPG3893	PACKING CASE (SYSTEM)	1 (EP)		△ R517, 18	ERD25FVJ2R2T	1/4W 2.2	2	
P4	RPG3959	PACKING CASE (SYSTEM)	1 (EG)		R519, 20	ERDS2TJ563T	1/4W 56K	2	
P4	RPG3960	PACKING CASE (SYSTEM)	1 (EB)		R521, 22	ERDS2TJ473T	1/4W 47K	2	
P5	RPF0139	PROTECTION BAG (F.B.)	1		R523, 24	ERDS2FJ272	1/4W 2.7K	2	
P6	RPQ0164	PAD	1		△ R525, 26	ERDS2FJ100	1/4W 10	2	
P7	RPQ0837	PAD	1		△ R527, 28	ERDS1FJ100	1/2W 10	2	
					R529	ERDS2FJ823	1/4W 82K	1	
△ PT701	RTP1V5B010-W	POWER TRANSFORMER	1 (EB)		R530	ERDS2FJ124	1/4W 120K	1	
△ PT701	RTP1V5E007-W	POWER TRANSFORMER	1 (E, EG, EP)		R531	ERDS2TJ563T	1/4W 56K	1	
					R532	ERDS2TJ564T	1/4W 560K	1	
△ Q101	2SD2374PQAU	TRANSISTOR	1		R533	ERDS2TJ223T	1/4W 22K	1	
△ Q102	2SB621AQRSTA	TRANSISTOR	1		R534	ERDS2FJ103	1/4W 10K	1	
Q103	2SC3311AIRTA	TRANSISTOR	1		R535	ERDS2TJ473T	1/4W 47K	1	
△ Q104	2SC3940AQSTA	TRANSISTOR	1		R551-56	ERDS2FJ472	1/4W 4.7K	6	
△ Q105	2SD2374PQAU	TRANSISTOR	1		R557, 58	ERDS2TJ122T	1/4W 1.2K	2	
△ Q106	2SD2144STA	TRANSISTOR	1		R702	ERDS2FJ392	1/4W 3.9K	1	
Q301, 02	2SD2144STA	TRANSISTOR	2		R703	ERDS2TJ333T	1/4W 33K	1	
Q303	UN4115TA	TRANSISTOR	1		△ R704	ERDS2FJ680	1/4W 68	1	
Q304	2SA1309A1QTA	TRANSISTOR	1		R707	ERDS2TJ684T	1/4W 680K	1	
Q305	2SD592AQRSTA	TRANSISTOR	1		R708	ERDS2FJ104	1/4W 100K	1	
Q307, 08	2SD2144STA	TRANSISTOR	2						
Q501	UN4115TA	TRANSISTOR	1		△ RL101	RSY0013M-0	RELAY	1	
Q503, 04	2SD2144STA	TRANSISTOR	2		△ RL701	RSY0013M-0	RELAY	1	
Q505, 06	2SC3311AIRTA	TRANSISTOR	2						
Q508, 09	2SC3311AIRTA	TRANSISTOR	2		S301-08	EVQPTD05Q	SW, TACT	8	
Q510	2SA1309A1QTA	TRANSISTOR	1						
Q511	2SC3311AIRTA	TRANSISTOR	1		VR301	EVQVBXFK124B	V. R, VOLUME	1	
Q513, 14	2SD2144STA	TRANSISTOR	2						
Q701	2SC3311AIRTA	TRANSISTOR	1						
R101	ERDS2FJ103	1/4W 10K	1						
R102, 03	ERDS2FJ682	1/4W 6.8K	2						
R104	ERDS2FJ101	1/4W 100	1						
△ R105, 06	ERDS2FJ100	1/4W 10	2						

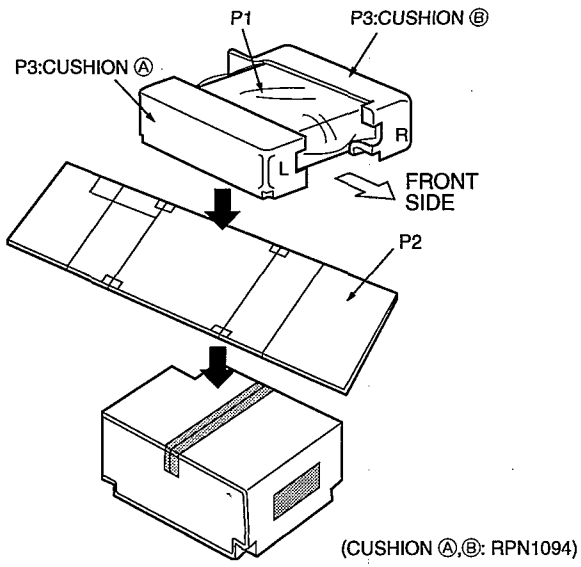
Cabinet Parts Location



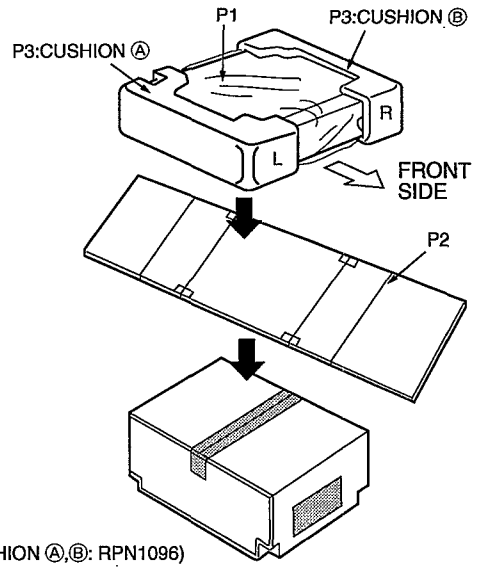
* Not supplies.

■ Packaging

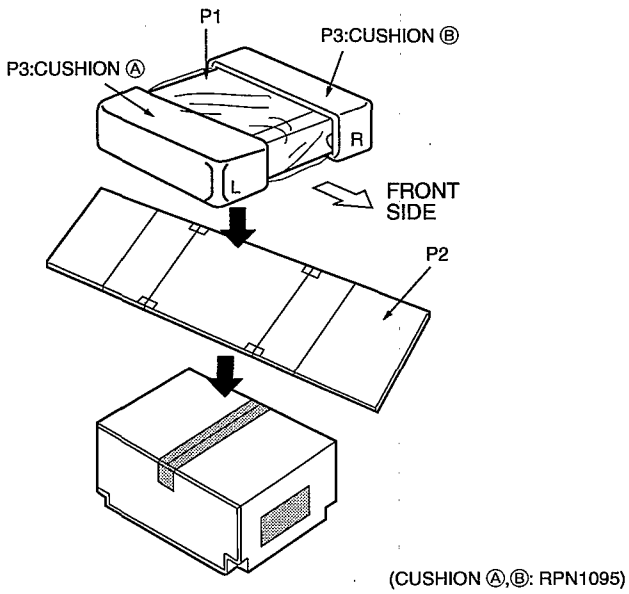
Amplifier : SE-HD55



CD Player : SL-HD55



Cassette deck : RS-HD75



Tuner : ST-HD55

